

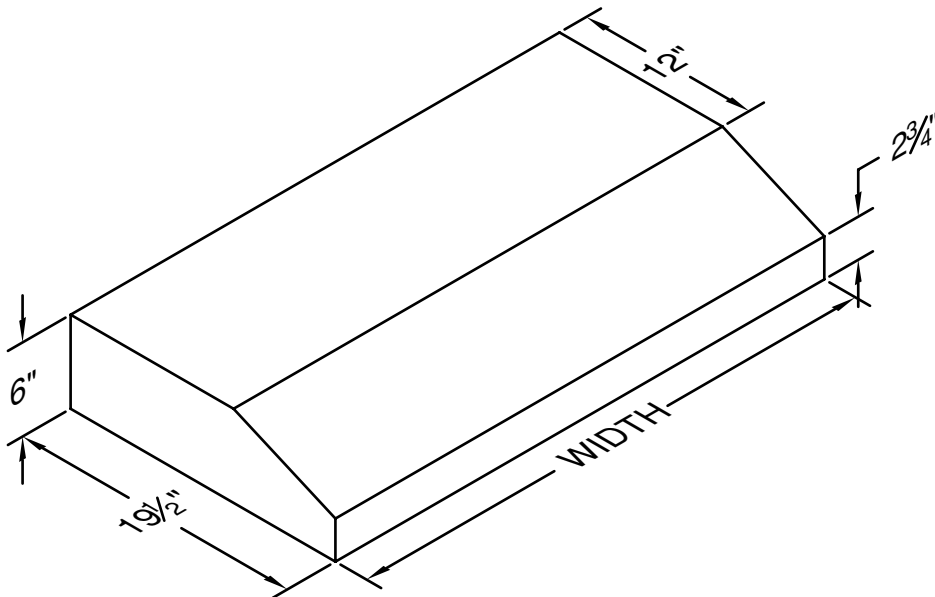
Vent Hood®

UNDER CABINET

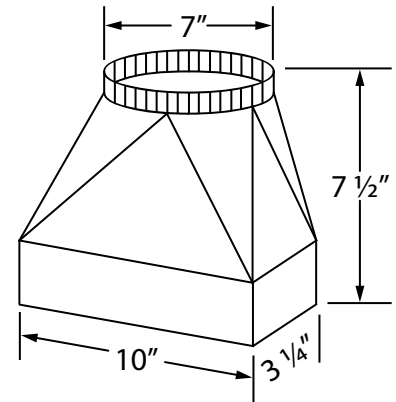
SUBJECT TO CHANGE WITHOUT NOTICE

Vent-A-Hood® UNDER CABINET RANGE HOOD SPECIFICATIONS

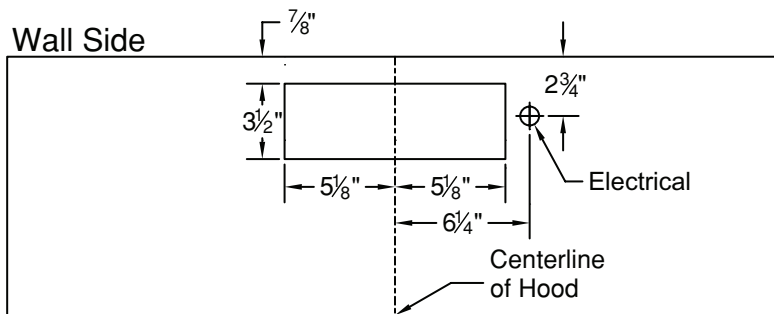
PRH6-K Equipped with halogen lighting. Not available with heat lamps. Available in Black, Biscuit, Gunsmoke, Stainless Steel, or White. Custom sizes not available.



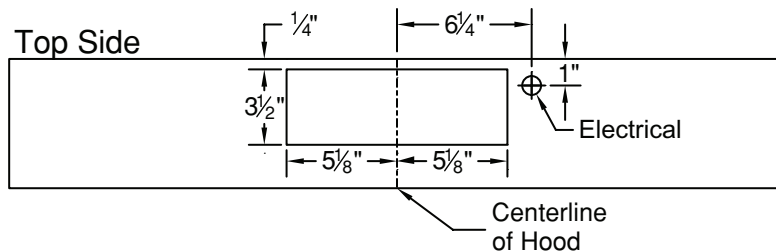
The VP521 transition is available for top vent applications at an additional charge.



Connection Diagrams (24", 30", 36", & 42" Widths)

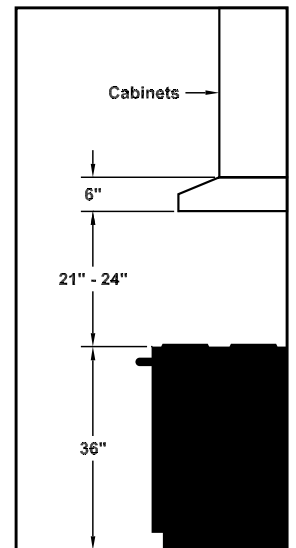


(Top View)



(Wall Cutout, Viewed from Front)

Recommended Mounting Height*



*Recommended mounting height is for optimum performance.

Electrical/Mechanical Specifications For Blower Units

Model	Volts	Amps	Hz	RPM	CFM SP@0.0"	Equivalent CFM*	CFM SP@0.1"	CFM SP@0.2"	CFM SP@0.3"	Minimum Round Duct Size	Sones#
K250 (Top Vent)	115	3.2	60	1550	250	375	223	220	190	7" (38 in. ²)	7.4
K250 (Back Vent)	115	3.2	60	1550	220	330	215	195	180	7" (38 in. ²)	7.4

All K-Series hoods have two halogen lights.

* Because the Magic Lung® blower uses centrifugal filtration rather than conventional baffle or mesh filters, the Magic Lung® blower can handle cooking equipment with higher cubic feet per minute (CFM) requirements and can deliver equivalent CFM much more efficiently than other filtration systems. When comparing the Magic Lung® with other blower units made by other manufacturers, use the "Equivalent CFM".

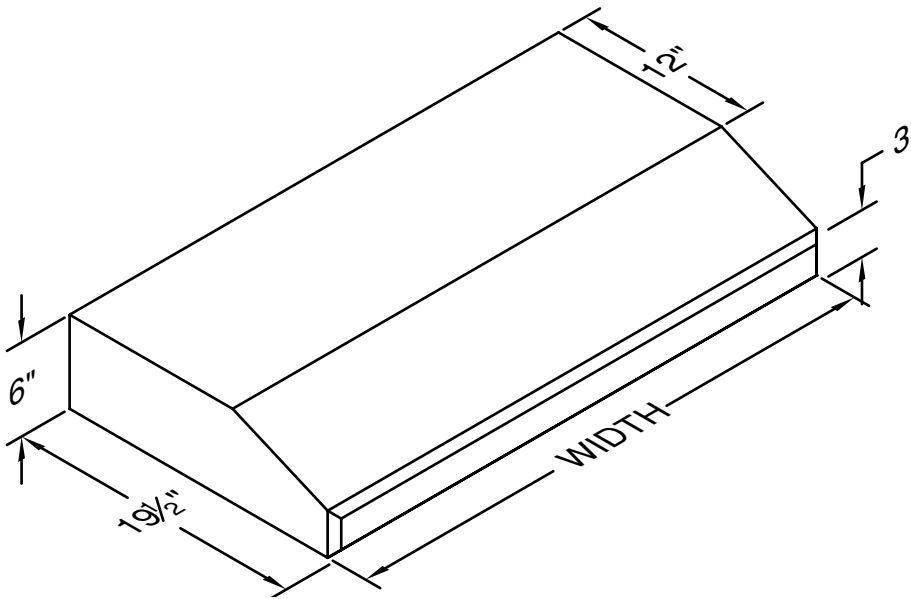
Ratings in accordance with the Standard Test Code by the Energy Systems Laboratory of the Texas Engineering Experiment Station.

SPECIFICATIONS SUBJECT TO CHANGE WITHOUT NOTICE Rev. 0412A

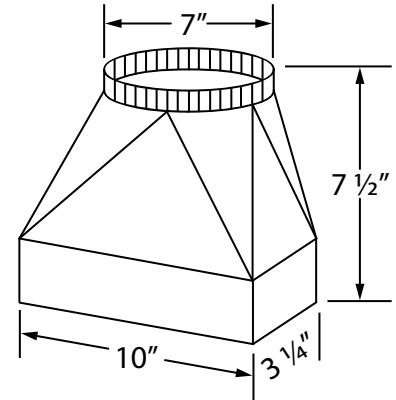


Vent-A-Hood® UNDER CABINET RANGE HOOD SPECIFICATIONS

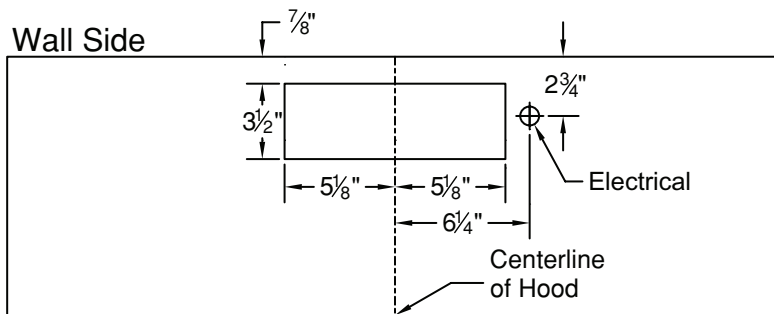
SLH6-K Equipped with halogen lighting. Not available with heat lamps. Available in Black, Biscuit, Gunsmoke, Stainless Steel, or White. Custom sizes not available.



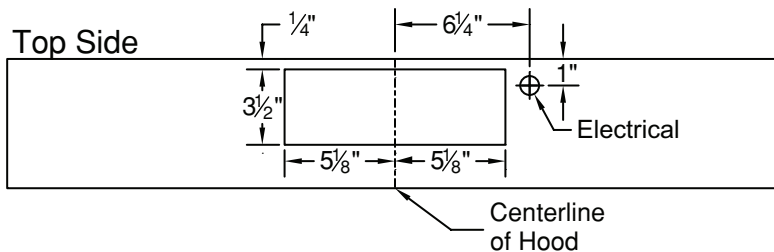
The VP521 transition is available for top vent applications at an additional charge.



Connection Diagrams (24", 30", 36", & 42" Widths)

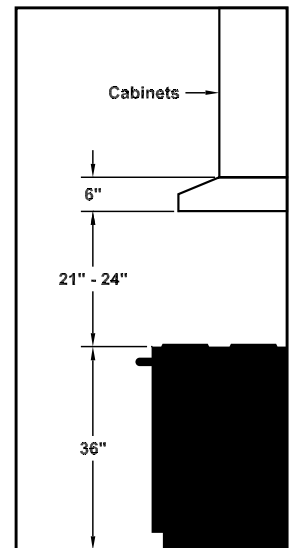


(Top View)



(Wall Cutout, Viewed from Front)

Recommended Mounting Height*



*Recommended mounting height is for optimum performance.

Electrical/Mechanical Specifications For Blower Units

Model	Volts	Amps	Hz	RPM	CFM SP@0.0"	Equivalent CFM*	CFM SP@0.1"	CFM SP@0.2"	CFM SP@0.3"	Minimum Round Duct Size	Sones#
K250 (Top Vent)	115	3.2	60	1550	250	375	223	220	190	7" (38 in. ²)	7.4
K250 (Back Vent)	115	3.2	60	1550	220	330	215	195	180	7" (38 in. ²)	7.4

All K-Series hoods have two halogen lights.

* Because the Magic Lung® blower uses centrifugal filtration rather than conventional baffle or mesh filters, the Magic Lung® blower can handle cooking equipment with higher cubic feet per minute (CFM) requirements and can deliver equivalent CFM much more efficiently than other filtration systems. When comparing the Magic Lung® with other blower units made by other manufacturers, use the "Equivalent CFM".

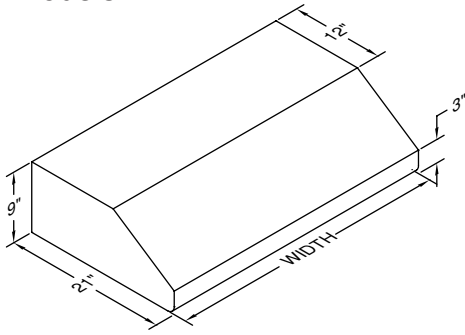
Ratings in accordance with the Standard Test Code by the Energy Systems Laboratory of the Texas Engineering Experiment Station.

SPECIFICATIONS SUBJECT TO CHANGE WITHOUT NOTICE Rev. 0412A

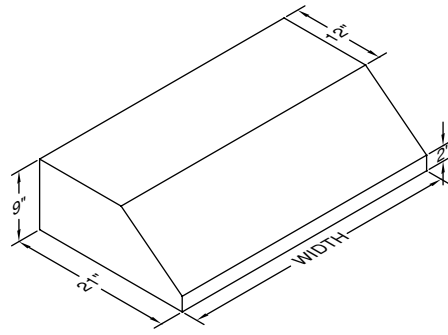


Vent-A-Hood® UNDER CABINET RANGE HOOD SPECIFICATIONS

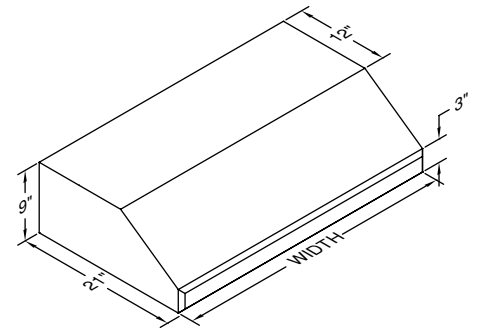
NPH9/PRH9/SLH9 Equipped with halogen lighting. WL-1 warming lights are available on selected models.



NPH9

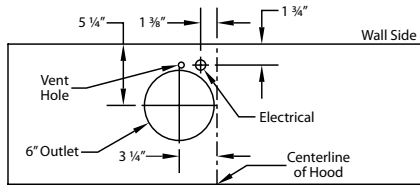


PRH9

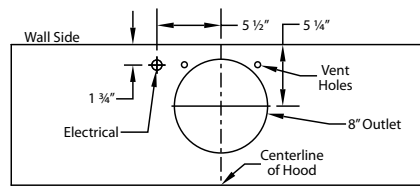


SLH9

Connection Diagram (30" - 48" Widths)

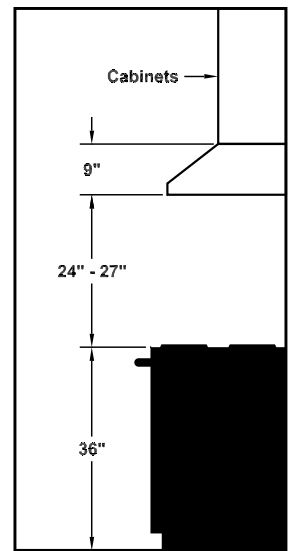


300 CFM B100 Single Blower (Top View)



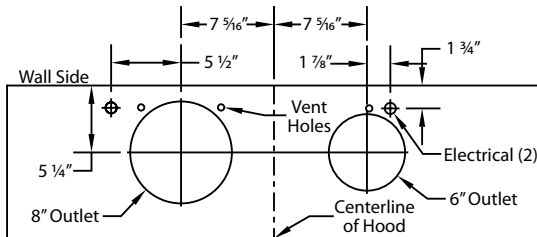
600 CFM B200 Dual Blower (Top View)

Recommended Mounting Height*

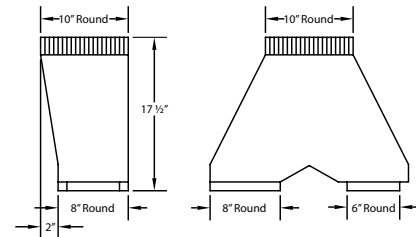


*Recommended mounting height is for optimum performance.

Connection Diagram (42" - 48" Widths)

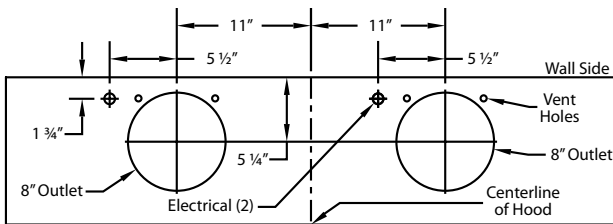


900 CFM B200 Dual & B100 Single Blower (Top View)

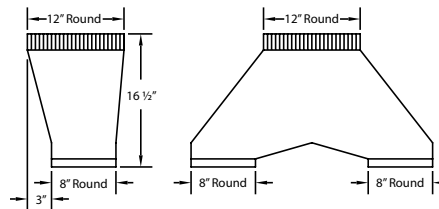


VP562 Transition (Optional) For B300 (B200 Dual Blower & B100 Single Blower)

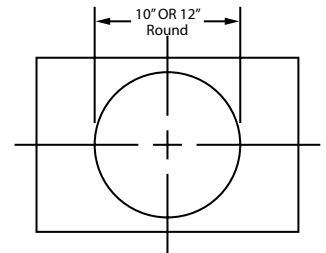
Connection Diagram (48" Width)



1200 CFM Double B200 Dual Blowers (Top View)



VP563 Transition (Optional) For B400 (Double B200 Dual Blowers)



VP562/VP563 transition centers outlet over top of hood

Electrical/Mechanical Specifications For Blower Units

Model	Volts	Amps*	Hz	RPM	CFM SP@0.0"	Equivalent CFM*	CFM SP@0.1"	CFM SP@0.2"	CFM SP@0.3"	Minimum Round Duct Size	Sones#
B100 Single	115	1.5	60	1550	300	450	273	245	225	6" (28 in. ²)	5.4
B200 Dual	115	2.9	60	1550	600	900	531	480	430	8" (50 in. ²)	6.5
B200 Dual & B100 Single	115	4.4	60	1550	900	1350	804	725	655	VP562: 10" (79 in. ²)	6.3
Two B200 Duals	115	5.8	60	1550	1200	1800	1062	960	860	VP563: 12" (113 in. ²)	6.6

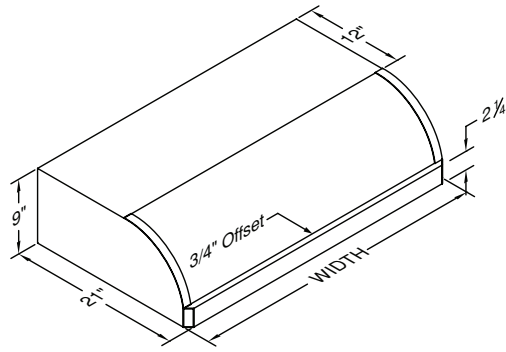
* Add 2.5 amp for each warming light and 0.5 amp for each halogen light. Hoods are available with halogen lights (2 lights: 30" - 41", 3 lights: 42" - 53", 4 lights: 54" - 66", +1 light for each 14" if over 66").

Because the Magic Lung® blower uses centrifugal filtration rather than conventional baffle or mesh filters, the Magic Lung® blower can handle cooking equipment with higher cubic feet per minute (CFM) requirements and can deliver equivalent CFM much more efficiently than other than other filtration systems. When comparing the Magic Lung® with other blower units made by other manufacturers, use the "Equivalent CFM".

Ratings in accordance with the Standard Test Code by the Energy Systems Laboratory of the Texas Engineering Experiment Station.

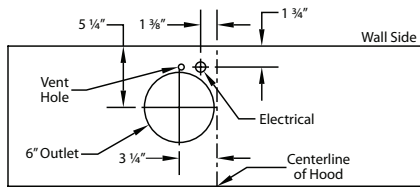
VentA Hood® UNDER CABINET RANGE HOOD SPECIFICATIONS

XRH9 Equipped with halogen lighting. WL-1 warming lights are available on selected models.

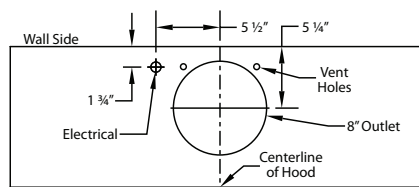


XRH9

Connection Diagram (30" - 48" Widths)

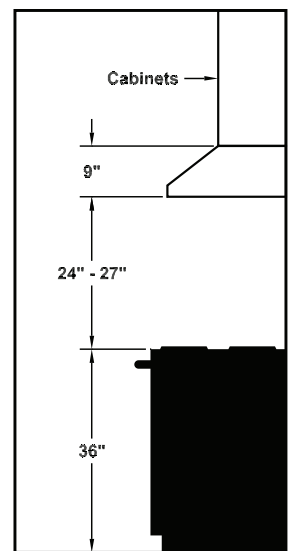


300 CFM B100 Single Blower (Top View)



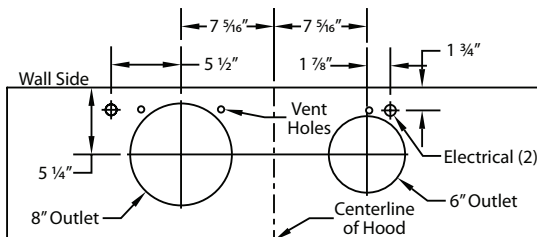
600 CFM B200 Dual Blower (Top View)

Recommended Mounting Height*

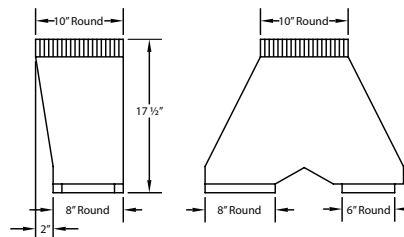


*Recommended mounting height is for optimum performance.

Connection Diagram (42" - 48" Widths)

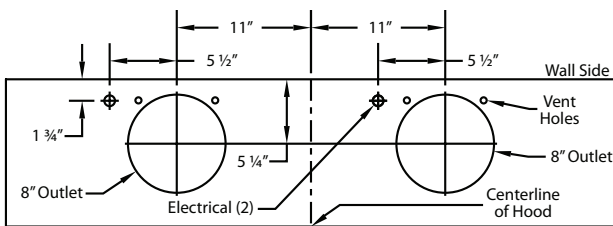


900 CFM B200 Dual & B100 Single Blower (Top View)

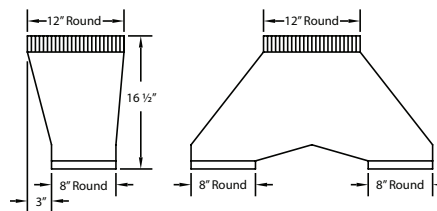


VP562 Transition (Optional) For B300 (B200 Dual Blower & B100 Single Blower)

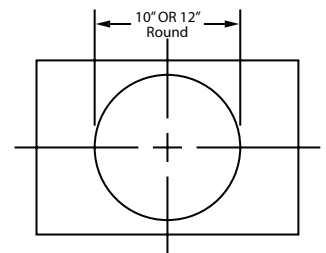
Connection Diagram (48" Width)



1200 CFM Double B200 Dual Blowers (Top View)



VP563 Transition (Optional) For B400 (Double B200 Dual Blowers)



VP562/VP563 transition centers outlet over top of hood

Electrical/Mechanical Specifications For Blower Units

Model	Volts	Amps*	Hz	RPM	CFM SP@0.0"	Equivalent CFM*	CFM SP@0.1"	CFM SP@0.2"	CFM SP@0.3"	Minimum Round Duct Size	Sones#
B100 Single	115	1.5	60	1550	300	450	273	245	225	6" (28 in. ²)	5.4
B200 Dual	115	2.9	60	1550	600	900	531	480	430	8" (50 in. ²)	6.5
B200 Dual & B100 Single	115	4.4	60	1550	900	1350	804	725	655	VP562: 10" (79 in. ²)	6.3
Two B200 Duals	115	5.8	60	1550	1200	1800	1062	960	860	VP563: 12" (113 in. ²)	6.6

* Add 2.5 amp for each warming light and 0.5 amp for each halogen light. The XRH9 is available with halogen lights (2 lights: 30" - 41"; 3 lights: 42" - 53"; 4 lights: 54" - 66"; +1 light for each 14" if over 66").

Because the Magic Lung® blower uses centrifugal filtration rather than conventional baffle or mesh filters, the Magic Lung® blower can handle cooking equipment with higher cubic feet per minute (CFM) requirements and can deliver equivalent CFM much more efficiently than other than other filtration systems. When comparing the Magic Lung® with other blower units made by other manufacturers, use the "Equivalent CFM".

Ratings in accordance with the Standard Test Code by the Energy Systems Laboratory of the Texas Engineering Experiment Station.

SPECIFICATIONS SUBJECT TO CHANGE WITHOUT NOTICE Rev. 0213A

