

Vent Hood[®]

M SERIES

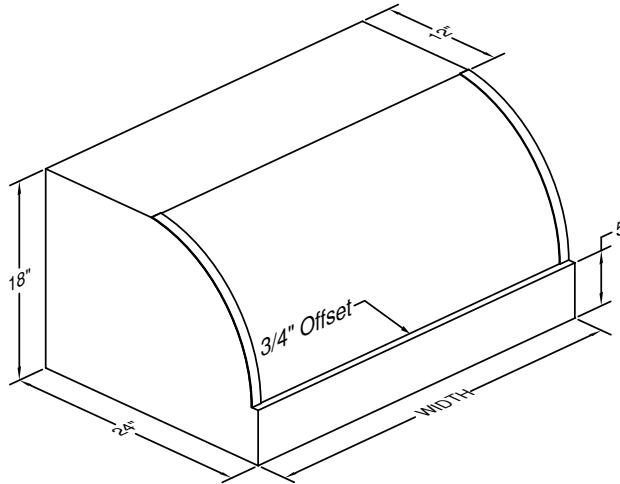
SUBJECT TO CHANGE WITHOUT NOTICE

Vent-A-Hood® WALL MOUNT RANGE HOOD SPECIFICATIONS

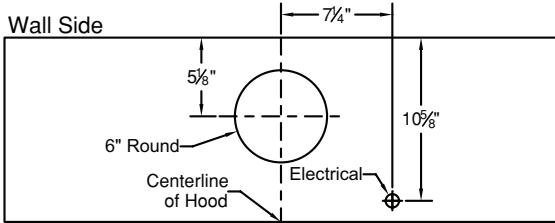
CXH18-M Equipped with halogen lighting. M600 and M1200 blowers are sold separately. Features stainless steel baffle filters.

Available Widths

30", 36", 42", 48",
54", 60", & 66"

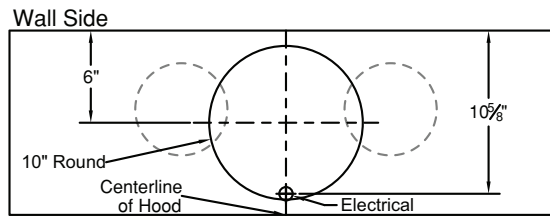


M600 Connection Diagram



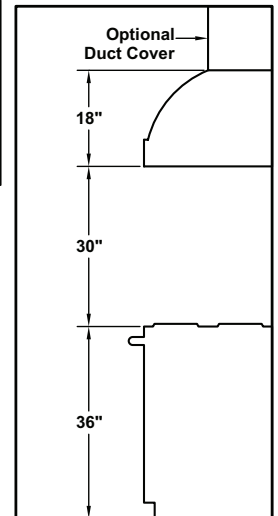
**Single Blower
(Top View)**

M1200 Connection Diagram



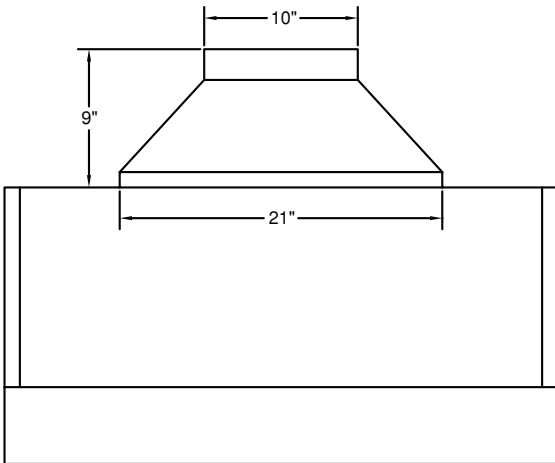
**Dual Blower with VP566 Transition
(Top View, see below for others)**

Recommended Mounting Height*

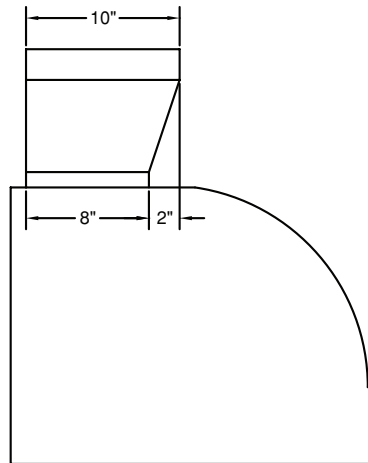


*Recommended mounting height is for optimum performance.

VP566 Transition Details (Included with M1200)



**VP566 Transition
(Front View)**



**VP566 Transition
(Side View)**

SPEED	CFM @ 0.1" S.P.		
	M600	WHM300*	M1200
1	240	240	420
2	300	300	645
3	500	-	865
4	625	-	1015

* The WHM300 is a wiring harness that when used with the M600 blower (sold separately) will disable the blower speeds exceeding 300 CFM.

Electrical/Mechanical Specifications For Blower Units

Model	Volts	Amps*	Hz	CFM SP@0.0"	CFM SP@0.1"	CFM SP@0.25"	CFM SP@0.5"	CFM SP@0.75"	Minimum Round Duct Size
M600 Single	115	5.0	60	630	625	615	600	580	6" (28 in. ²)
M600 w/WHM300 Harness	115	5.0	60	302	300	295	288	278	6" (28 in. ²)
M1200 Dual	115	10.0	60	1035	1015	1000	955	915	10" (79 in. ²)

* Add 0.5 amp for each halogen light. Hoods are available with halogen lights (2 lights: 30" - 41", 3 lights: 42" - 53", 4 lights: 54"-66").

SPECIFICATIONS SUBJECT TO CHANGE WITHOUT NOTICE Rev. 0514A

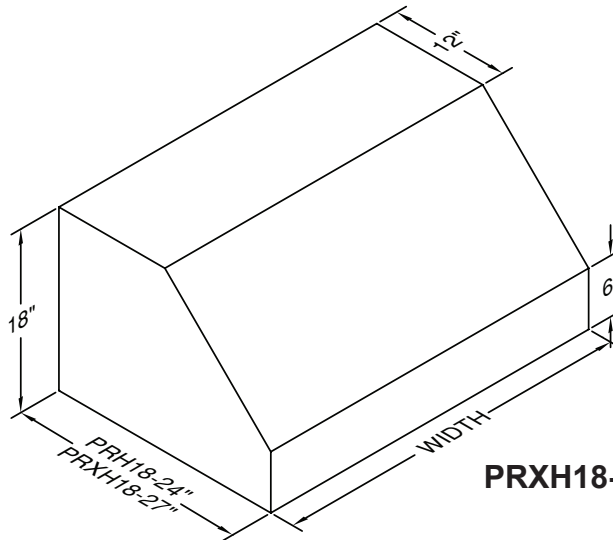


Vent Hood® WALL MOUNT RANGE HOOD SPECIFICATIONS

PRH18-M/PRXH18-M Equipped with halogen lighting. X in part number indicates 27" depth. M600 and M1200 blowers are sold separately. Features stainless steel baffle filters.

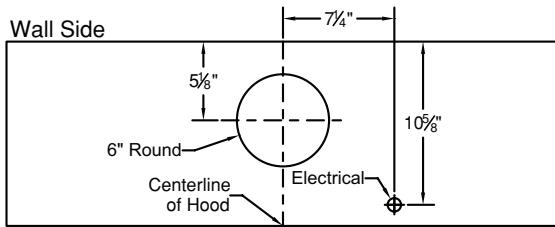
Available Widths

30", 36", 42", 48",
54", 60", & 66"



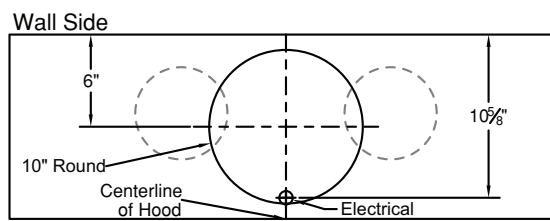
PRXH18-M/PRXH18-M

M600 Connection Diagram



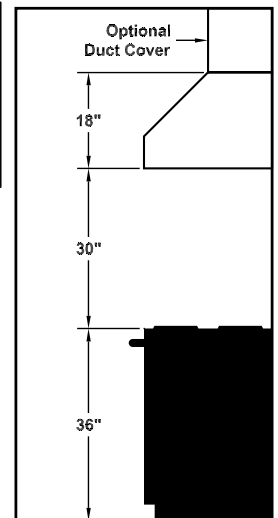
Single Blower
(Top View)

M1200 Connection Diagram



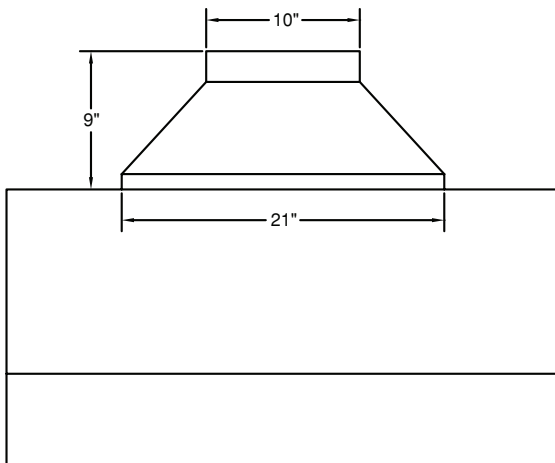
Dual Blower with VP566 Transition
(Top View, see below for others)

Recommended Mounting Height*

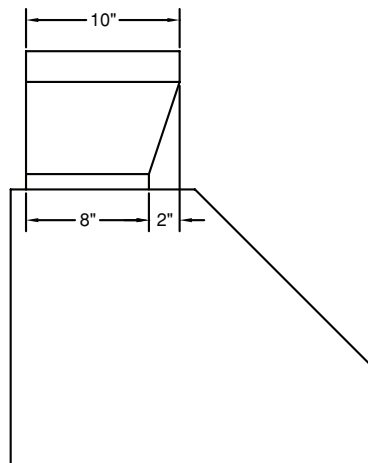


*Recommended mounting height is for optimum performance.

VP566 Transition Details (Included with M1200)



VP566 Transition
(Front View)



VP566 Transition
(Side View)

SPEED	CFM @ 0.1" S.P.		
	M600	WHM300*	M1200
1	240	240	420
2	300	300	645
3	500	-	865
4	625	-	1015

* The WHM300 is a wiring harness that when used with the M600 blower (sold separately) will disable the blower speeds exceeding 300 CFM.

Electrical/Mechanical Specifications For Blower Units

Model	Volts	Amps*	Hz	CFM SP@0.0"	CFM SP@0.1"	CFM SP@0.25"	CFM SP@0.5"	CFM SP@0.75"	Minimum Round Duct Size
M600 Single	115	5.0	60	630	625	615	600	580	6" (28 in. ²)
M600 w/WHM300 Harness	115	5.0	60	302	300	295	288	278	6" (28 in. ²)
M1200 Dual	115	10.0	60	1035	1015	1000	955	915	10" (79 in. ²)

* Add 0.5 amp for each halogen light. Hoods are available with halogen lights (2 lights: 30" - 41", 3 lights: 42" - 53", 4 lights: 54"-66").

SPECIFICATIONS SUBJECT TO CHANGE WITHOUT NOTICE Rev. 0514A

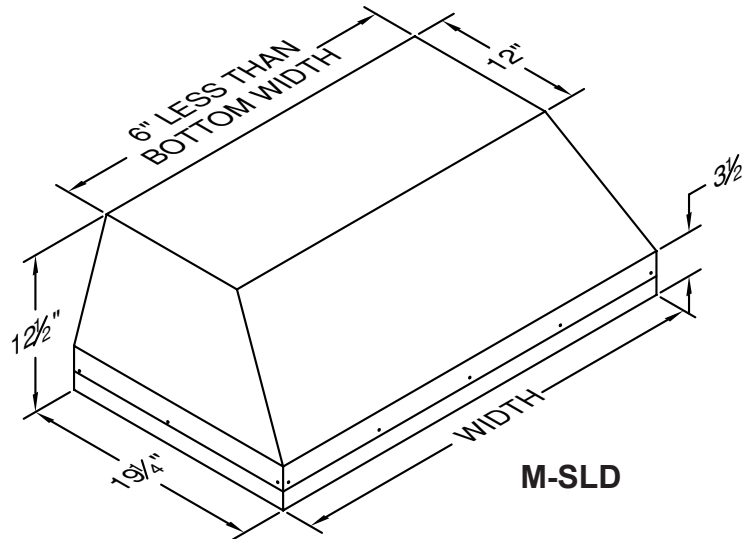


Vent Hood® WALL MOUNT LINER INSERT SPECIFICATIONS

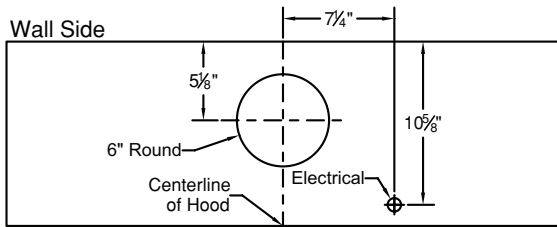
M-SLD LINER Equipped with halogen lighting. M600 and M1200 blowers are sold separately. Features a stainless steel fascia and baffle filters and a gunsmoke powder-coated canopy.

Available Widths

28 3/8", 34 3/8", 40 3/8",
46 3/8", 52 3/8", 58 3/8",
& 64 3/8"

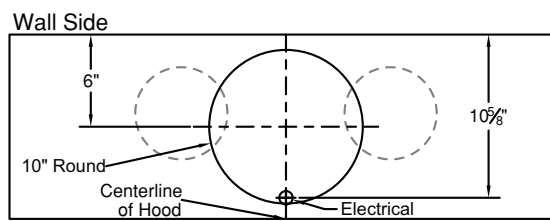


M600 Connection Diagram



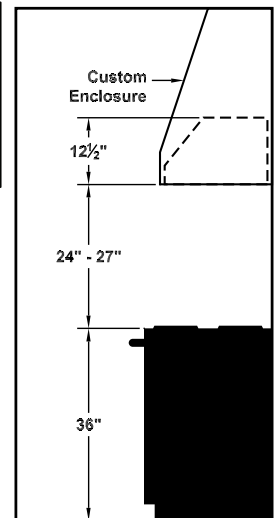
**Single Blower
(Top View)**

M1200 Connection Diagram



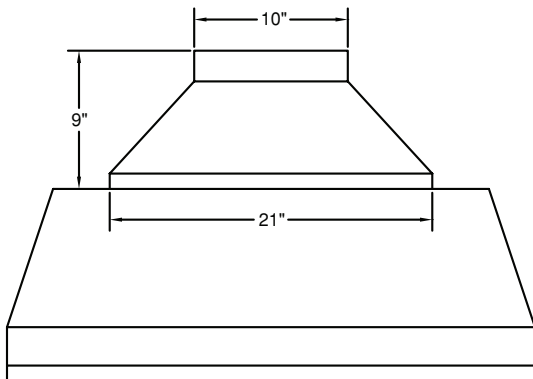
**Dual Blower with VP566 Transition
(Top View, see below for others)**

Recommended Mounting Height*

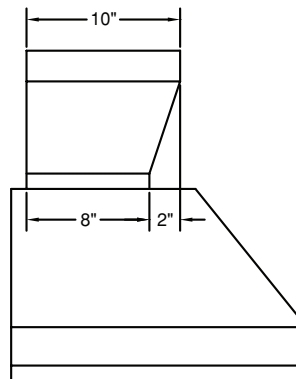


*Recommended mounting height is for optimum performance.

VP566 Transition Details (Included with M1200)



**VP566 Transition
(Front View)**



**VP566 Transition
(Side View)**

SPEED	CFM @ 0.1" S.P.		
	M600	WHM300*	M1200
1	240	240	420
2	300	300	645
3	500	-	865
4	625	-	1015

* The WHM300 is a wiring harness that when used with the M600 blower (sold separately) will disable the blower speeds exceeding 300 CFM.

Electrical/Mechanical Specifications For Blower Units

Model	Volts	Amps*	Hz	CFM SP@0.0"	CFM SP@0.1"	CFM SP@0.25"	CFM SP@0.5"	CFM SP@0.75"	Minimum Round Duct Size
M600 Single	115	5.0	60	630	625	615	600	580	6" (28 in. ²)
M600 w/WHM300 Harness	115	5.0	60	302	300	295	288	278	6" (28 in. ²)
M1200 Dual	115	10.0	60	1035	1015	1000	955	915	10" (79 in. ²)

* Add 0.5 amp for each halogen light. Hoods are available with halogen lights (2 lights: 30" - 41", 3 lights: 42" - 53", 4 lights: 54"-66").

SPECIFICATIONS SUBJECT TO CHANGE WITHOUT NOTICE Rev. 0514A

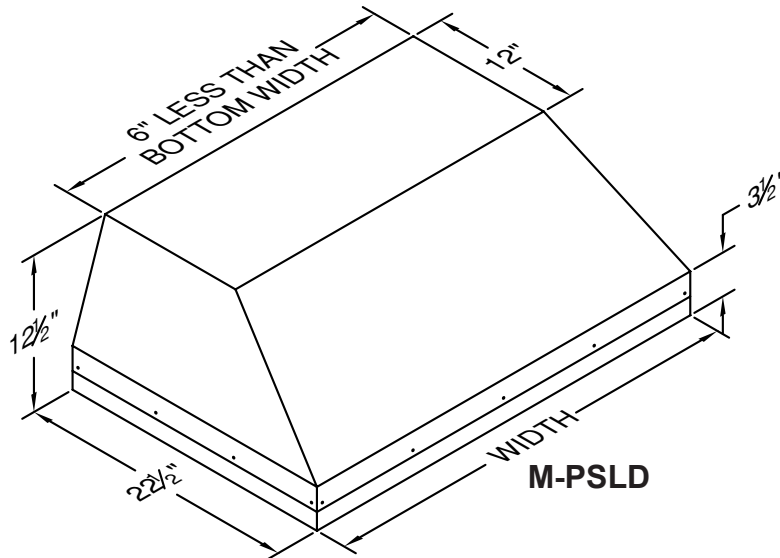


Vent Hood® WALL MOUNT LINER INSERT SPECIFICATIONS

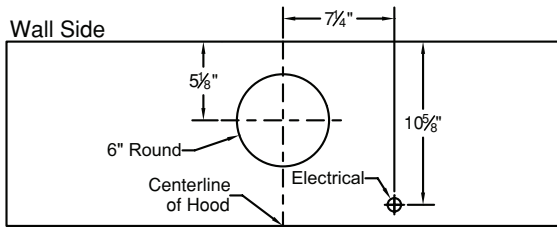
M-PSLD LINER Equipped with halogen lighting. M600 and M1200 blowers are sold separately. Features a stainless steel fascia and baffle filters and a gunsmoke powder-coated canopy.

Available Widths

28 3/8", 34 3/8", 40 3/8",
46 3/8", 52 3/8", 58 3/8",
& 64 3/8"

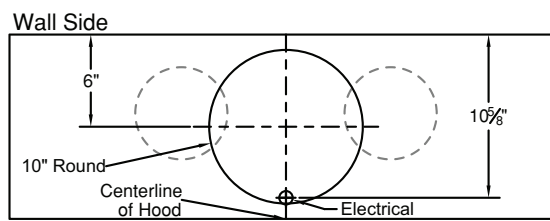


M600 Connection Diagram



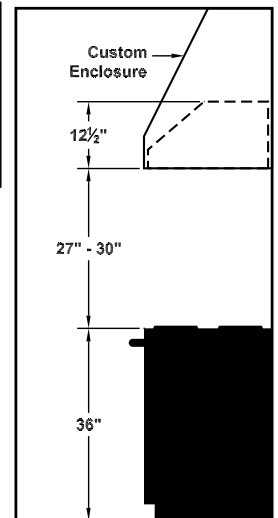
**Single Blower
(Top View)**

M1200 Connection Diagram



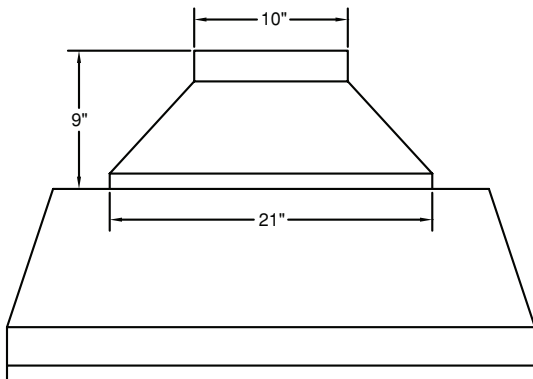
**Dual Blower with VP566 Transition
(Top View, see below for others)**

Recommended Mounting Height*

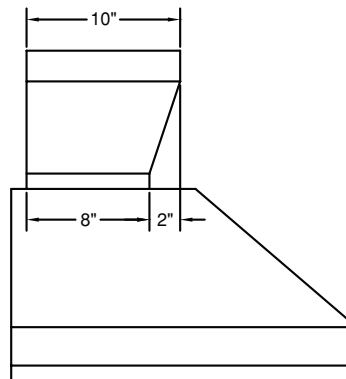


*Recommended mounting height is for optimum performance.

VP566 Transition Details (Included with M1200)



**VP566 Transition
(Front View)**



**VP566 Transition
(Side View)**

SPEED	CFM @ 0.1" S.P.		
	M600	WHM300*	M1200
1	240	240	420
2	300	300	645
3	500	-	865
4	625	-	1015

* The WHM300 is a wiring harness that when used with the M600 blower (sold separately) will disable the blower speeds exceeding 300 CFM.

Electrical/Mechanical Specifications For Blower Units

Model	Volts	Amps*	Hz	CFM SP@0.0"	CFM SP@0.1"	CFM SP@0.25"	CFM SP@0.5"	CFM SP@0.75"	Minimum Round Duct Size
M600 Single	115	5.0	60	630	625	615	600	580	6" (28 in. ²)
M600 w/WHM300 Harness	115	5.0	60	302	300	295	288	278	6" (28 in. ²)
M1200 Dual	115	10.0	60	1035	1015	1000	955	915	10" (79 in. ²)

* Add 0.5 amp for each halogen light. Hoods are available with halogen lights (2 lights: 30" - 41", 3 lights: 42" - 53", 4 lights: 54"-66").

SPECIFICATIONS SUBJECT TO CHANGE WITHOUT NOTICE Rev. 0514A

