



BBQ MSRP PRICE LIST



Redman Distributing Inc.
395 Dobbie Drive
Cambridge ON
N1T 1S8

Call Centre

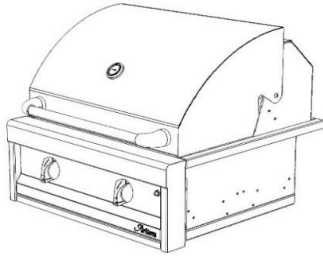
Purchase order submission, Product availability / Stock check, Order status

Phone: 888.340.4949

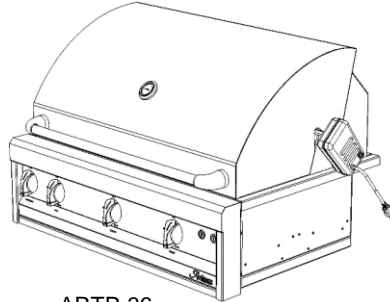
Email: sales@redmandistributing.com

<https://alfrescogrills.com/artisan/>

BARBEQUE GRILLS



AAEP-26



ARTP-36

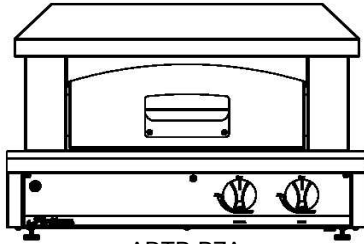


ARTP-36C

| ARTISAN ► BUILT-IN GRILLS | | | |
|----------------------------------|---|--|-------------|
| MODEL | DESCRIPTION | | MSRP |
| AAEP-26 | 26" 2 Burner - No Rotisserie / No Light, NG | | \$ 2,575 |
| AAEP-26-LP | 26" 2 Burner - No Rotisserie / No Light, LP | | \$ 2,575 |
| AAEP-32 | 32" 3 Burner - No Rotisserie / No Light, NG | | \$ 3,097 |
| AAEP-32-LP | 32" 3 Burner - No Rotisserie / No Light, LP | | \$ 3,097 |
| AAEP-36 | 36" 3 Burner - No Rotisserie / No Light, NG | | \$ 3,619 |
| AAEP-36-LP | 36" 3 Burner - No Rotisserie / No Light, LP | | \$ 3,619 |
| ARTP-32 | 32" 3 Burner with Rotisserie & Light, NG | | \$ 3,791 |
| ARTP-32-LP | 32" 3 Burner with Rotisserie & Light, LP | | \$ 3,791 |
| ARTP-36 | 36" 3 Burner with Rotisserie & Light, NG | | \$ 4,570 |
| ARTP-36-LP | 36" 3 Burner with Rotisserie & Light, LP | | \$ 4,570 |
| NEW | ARTP-42 | 42" 3 Burner with Rotisserie & Light, NG | \$ 5,062 |
| NEW | ARTP-42-LP | 42" 3 Burner with Rotisserie & Light, LP | \$ 5,062 |

| ARTISAN ► CART MODEL GRILLS | | | |
|------------------------------------|--|--|-------------|
| MODEL | DESCRIPTION | | MSRP |
| AAEP-26C | 26" 2 Burner - No Rotisserie / No Light + Cart, NG | | \$ 3,723 |
| AAEP-26C-LP | 26" 2 Burner - No Rotisserie / No Light + Cart, LP | | \$ 3,723 |
| AAEP-32C | 32" 3 Burner - No Rotisserie / No Light + Cart, NG | | \$ 4,419 |
| AAEP-32C-LP | 32" 3 Burner - No Rotisserie / No Light + Cart, LP | | \$ 4,419 |
| NEW | AAEP-36C | 36" 3 Burner - No Rotisserie / No Light + Cart, NG | \$ 4,941 |
| NEW | AAEP-36C-LP | 36" 3 Burner - No Rotisserie / No Light + Cart, LP | \$ 4,941 |
| | ARTP-32C | 32" 3 Burner with Rotisserie & Light + Cart, NG | \$ 4,872 |
| | ARTP-32C-LP | 32" 3 Burner with Rotisserie & Light + Cart, LP | \$ 4,872 |
| | ARTP-36C | 36" 3 Burner with Rotisserie & Light + Cart, NG | \$ 5,916 |
| | ARTP-36C-LP | 36" 3 Burner with Rotisserie & Light + Cart, LP | \$ 5,916 |
| NEW | ARTP-42C | 42" 3 Burner with Rotisserie & Light + Cart, NG | \$ 6,406 |
| NEW | ARTP-42C-LP | 42" 3 Burner with Rotisserie & Light + Cart, LP | \$ 6,406 |

PIZZA OVEN



ARTP-PZA



shown without oven door



shown with removable oven door include

| ARTISAN ► PIZZA OVEN | | | |
|----------------------|-----------------|---|----------|
| | MODEL | DESCRIPTION | MSRP |
| NEW | ARTP-PZA | Pizza Oven for Counter Installation, NG | \$ 6,960 |
| NEW | ARTP-PZA-LP | Pizza Oven for Counter Installation, LP | \$ 6,960 |
| NEW | AXE-PZA-CART-01 | Pizza Oven Cart | \$ 1,933 |

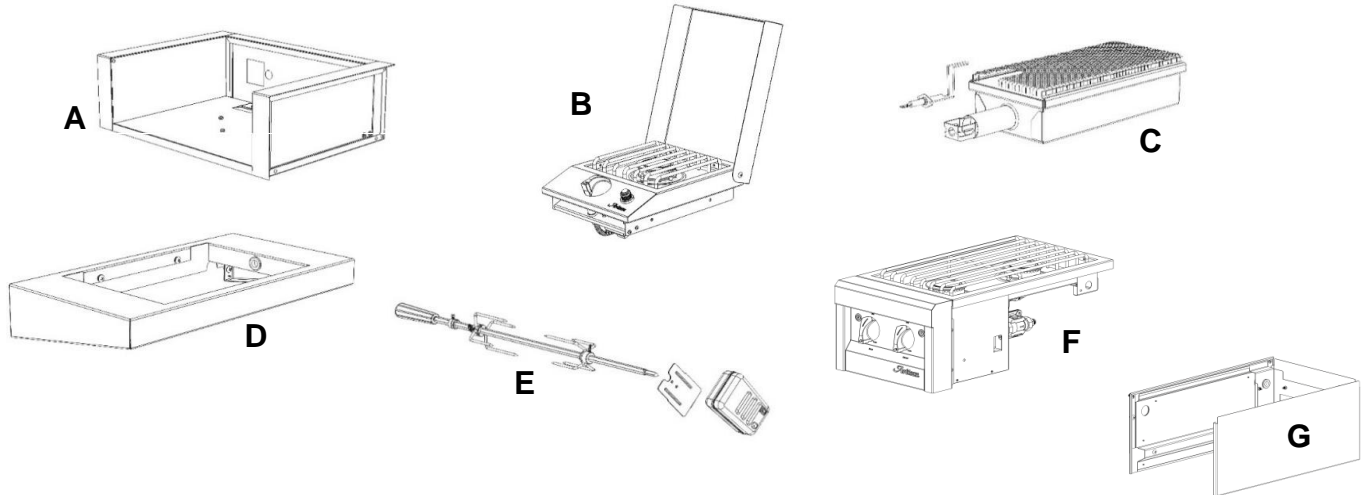
GRILL ACCESSORIES

| ARTISAN ► WIND GUARD FOR BUILT-IN GRILLS | | | |
|--|-----------|---|--------|
| | MODEL | DESCRIPTION | MSRP |
| NEW | ARTP-26WS | Wind guard for Artisan 26" Built-In Grill | \$ 473 |
| NEW | ARTP-32WS | Wind guard for Artisan 32" Built-In Grill | \$ 543 |
| NEW | ARTP-36WS | Wind guard for Artisan 36" Built-In Grill | \$ 612 |
| NEW | ARTP-42WS | Wind guard for Artisan 42" Built-In Grill | \$ 683 |

24" OUTDOOR REFRIGERATOR

| ARTISAN ► 24" OUTDOOR REFRIGERATOR | | | |
|------------------------------------|--------------|---|----------|
| | MODEL | DESCRIPTION | MSRP |
| NEW | ART-BC24 | Right Hand Door Swing 24" Wide - 5.1 Cuft. SS (Wrapped) | \$ 1,999 |
| NEW | ART-BC24-L | Left Hand Door Swing 24" Wide - 5.1 Cuft. SS (Wrapped) | \$ 1,999 |
| NEW | ART-BC24-KIT | Artisan Undercounter Handle and Badge Kit | \$ 49 |

GRILL ACCESSORIES



| ARTISAN ► GRILL ACCESSORIES | | | | |
|-----------------------------|-------------|------|---|----------|
| | MODEL | ITEM | DESCRIPTION | MSRP |
| | ARTIJ-26 | A | Insulating Jacket for AAEP-26 Grill | \$ 745 |
| | ARTIJ-32 | A | Insulating Jacket for ALL 32" Grills | \$ 779 |
| | ARTIJ-36 | A | Insulating Jacket for ARTP-36 Grill | \$ 807 |
| NEW | ARTIJ-42 | A | Insulating Jacket for ARTP-42 Grill | \$ 838 |
| | ART-SB1 | B | Single Side Burner for countertops or shelf mount for cart use with ARTC-SBM, NG | \$ 689 |
| | ART-SB1-LP | B | Single Side Burner for countertops or shelf mount for cart use with ARTC-SBM, LP | \$ 689 |
| | ART-ISB | C | Infrared Sear Burner for all Artisan Grills | \$ 518 |
| NEW | ASZG | C | Grate for Infrared Sear Burner for all Artisan Grills | \$ 518 |
| | ARTP-SB2 | F | Built-in Double Side Burner, (2) 15,000 BTU Burners, 110 AC ignition, Blue LED front panel accent light, Removable Stainless steel cove, NG | \$ 1,315 |
| | ARTP-SB2-LP | F | Built-in Double Side Burner, (2) 15,000 BTU Burners, 110 AC ignition, Blue LED front panel accent light, Removable Stainless steel cove, LP | \$ 1,315 |
| | ARTPC-SB2M | G | ARTP-SB2 shelf mount for Cart use | \$ 278 |
| | ARTC-SBM | D | ART-SB1 shelf mount for Cart use | \$ 209 |
| | ART-ROT26 | E | Artisan Rotisserie Kit for AAEP-26 Grill | \$ 306 |
| | ART-ROT32 | E | Artisan Rotisserie Kit for AAEP-32 Grill | \$ 341 |
| NEW | ART-ROT36 | E | Artisan Rotisserie Kit for AAEP-36 Grill | \$ 373 |
| NEW | ART-ROT42 | E | Artisan Rotisserie Kit for AAEP-42 Grill | \$ 405 |

| ARTISAN ► GRILL COVERS | | | | |
|------------------------|-----------|--|-------------------------------|--------|
| | MODEL | | DESCRIPTION | MSRP |
| | ART-26CV | | 26" Cover for Built-In Grills | \$ 125 |
| | ART-32CV | | 32" Cover for Built-In Grills | \$ 125 |
| | ART-36CV | | 36" Cover for Built-In Grills | \$ 125 |
| NEW | ART-42CV | | 42" Cover for Built-In Grills | \$ 125 |
| | ART-26CVC | | 26" Cover for Cart Models | \$ 125 |
| | ART-32CVC | | 32" Cover for Cart Models | \$ 125 |
| | ART-36CVC | | 36" Cover for Cart Models | \$ 125 |
| NEW | ART-42CVC | | 42" Cover for Cart Models | \$ 125 |

ISLAND ACCESSORIES

| ARTISAN ► ISLAND ACCESSORIES | | | |
|------------------------------|---------------|---|----------|
| | MODEL | DESCRIPTION | MSRP |
| NEW | ARTP-17DL | 17" Single Door Left Side replaces ARTP-SDL-USA | \$ 348 |
| NEW | ARTP-17DR | 17" Single Door Right Side replaces ARTP-SDR-USA | \$ 348 |
| NEW | ARTP-26DL | 26" Single Door Left Side | \$ 538 |
| NEW | ARTP-26DR | 26" Single Door Right Side | \$ 538 |
| | ARTP-DD | Double Doors (29 7/8" W) | \$ 581 |
| NEW | ARTP-30DD | 30" Double Doors replaces ARTP-DD-USA | \$ 581 |
| NEW | ARTP-32DD | 32" Double Doors | \$ 626 |
| NEW | ARTP-36DD | 36" Double Doors | \$ 709 |
| NEW | ARTP-42DD | 42" Double Doors | \$ 772 |
| NEW | ARTP-2DR-17SC | 17" Two Drawer Unit | \$ 930 |
| NEW | ARTP-3DR-17SC | 17" Three Drawer Unit | \$ 1,107 |
| NEW | ARTP-TC-15SC | 15" Single Trash Center - (Trash can Not Included) | \$ 963 |
| NEW | ARTP-TC2-20SC | 20" Double Trash Center - (Trash cans Not Included) | \$ 1,436 |
| | ARTP-PWC | Prep / Waste Chute (w/ Cut Board + Cover) | \$ 485 |
| NEW | ARTP-DS17 | Door Shelf 17" Single Door | \$ 79 |
| NEW | ARTP-DS26 | Door Shelf 26" Single Door | \$ 79 |
| NEW | ARTP-DS32 | Door Shelf 32" Double Door (2 REQUIRED) | \$ 79 |
| NEW | ARTP-DS36 | Door Shelf 36" Double Door (2 REQUIRED) | \$ 79 |
| NEW | ARTP-DS42 | Door Shelf 42" Double Door (2 REQUIRED) | \$ 79 |
| NEW | ARTP-DDC-32SC | 32" Door - Drawer Combo Unit | \$ 1,170 |
| NEW | ARTP-DDC-36SC | 36" Door - Drawer Combo Unit | \$ 1,234 |
| NEW | ARTP-TH-17 | 17" Towel Holder | \$ 374 |
| NEW | ARTP-IC | Drop-In Ice Bin | \$ 904 |
| NEW | ARTP-G | Drop-In Griddle | \$ 482 |