

M SERIES BY VENT-A-HOOD

CANADIAN MSRP PRICE BOOK

December 2017



Vent-A-Hood[®]

SHIPPING ADDRESS

395 Dobbie Drive
Cambridge, Ontario N1T 1S8

TELEPHONE: 519.624.5710

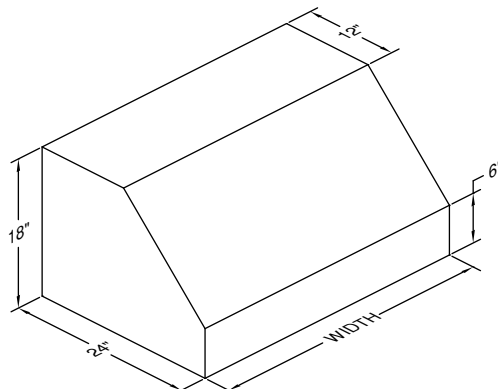
TOLL-FREE: 888.340.4949

FAX: 519.624.5722

PRH 18-M WALL MOUNT

PRH18-M WALL MOUNT HOOD

MODEL	WIDTH	DEPTH	PRICE	#LIGHTS	#FILTERS
PRH18-M30 SS	30"	24"	\$1,479	2	2
PRH18-M36 SS	36"	24"	\$1,504	2	2
PRH18-M42 SS	42"	24"	\$1,627	3	2
PRH18-M48 SS	48"	24"	\$1,716	3	3
PRH18-M54 SS	54"	24"	\$2,097	4	3
PRH18-M60 SS	60"	24"	\$2,278	4	4
PRH18-M66 SS	66"	24"	\$2,433	4	4



NOTE: BLOWER SOLD SEPARATELY
NOTE: STAINLESS STEEL BAFFLE FILTERS AND GU10 LIGHTING INCLUDED.

BLOWER OPTIONS

MODEL	CFM*	AMPS	PRICE	INCL.®	DUCT SIZE
M600	630	5.0	\$519	N/A	6" Round
M1200	1035	10.0	\$998	VP566	10" Round
WHM300*	300	5.0	\$16	N/A	6" Round
WHM400*	400	5.0	\$16	N/A	6" Round



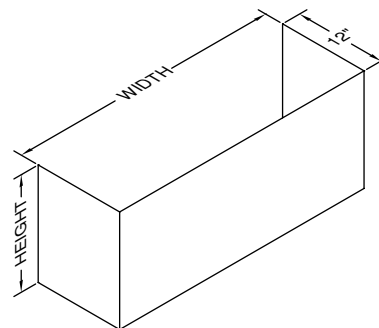
M600

M1200

+ CFM RATING IS AT 0.0" STATIC PRESSURE
® VP566 TRANSITION IS PACKAGED SEPARATELY FROM M1200 BLOWER
* WHM300 IS A HARNESS TO BE USED WITH THE M600 WHICH LIMITS TO 300 CFM
* WHM400 IS A HARNESS TO BE USED WITH THE M600 WHICH LIMITS TO 400 CFM

DUCT COVER OPTIONS

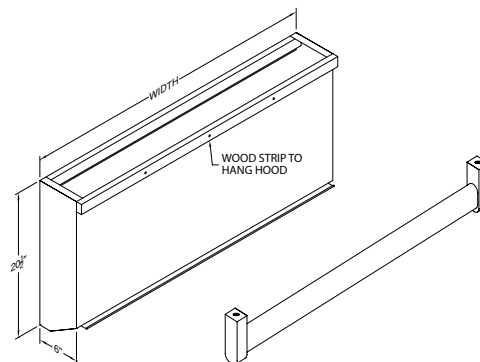
MODEL	WIDTH	DEPTH	PRICE	CEILING
WDCM-30 SS	30"	12"	\$576	8'
WDCM-30/24 SS	30"	12"	\$814	9'
WDCM-30/36 SS	30"	12"	\$1,053	10'
WDCM-36 SS	36"	12"	\$622	8'
WDCM-36/24 SS	36"	12"	\$910	9'
WDCM-36/36 SS	36"	12"	\$1,194	10'
WDCM-42 SS	42"	12"	\$672	8'
WDCM-42/24 SS	42"	12"	\$1,005	9'
WDCM-42/36 SS	42"	12"	\$1,338	10'
WDCM-48 SS	48"	12"	\$718	8'
WDCM-48/24 SS	48"	12"	\$1,100	9'
WDCM-48/36 SS	48"	12"	\$1,482	10'
WDCM-54 SS	54"	12"	\$766	8'
WDCM-60 SS	60"	12"	\$814	8'
WDCM-66 SS	66"	12"	\$862	8'



M SERIES BBQ EXTENSION

MODEL	WIDTH	PRICE	WR RAIL	PRICE
BBE-M30 SS	30"	\$543	WR-M30	\$108
BBE-M36 SS	36"	\$638	WR-M36	\$120
BBE-M42 SS	42"	\$698	WR-M42	\$120
BBE-M48 SS	48"	\$747	WR-M48	\$126
BBE-M54 SS	54"	\$802	WR-M54	\$126
BBE-M60 SS	60"	\$857	WR-M60	\$126

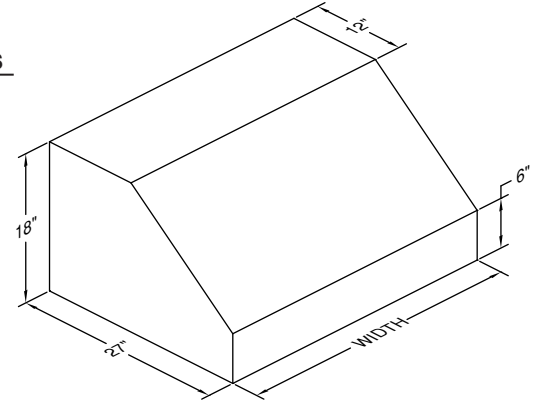
NOTE: WR RAIL SOLD SEPARATELY
NOTE: FOR USE ON PRH18-M AND PRX18-M



PRXH18-M WALL MOUNT

PRXH18-M WALL MOUNT HOOD

MODEL	WIDTH	DEPTH	PRICE	#LIGHTS	#FILTERS
PRXH18-M30 SS	30"	27"	\$1,479	2	2
PRXH18-M36 SS	36"	27"	\$1,504	2	2
PRXH18-M42 SS	42"	27"	\$1,627	3	2
PRXH18-M48 SS	48"	27"	\$1,716	3	3
PRXH18-M54 SS	54"	27"	\$2,097	4	3
PRXH18-M60 SS	60"	27"	\$2,278	4	4
PRXH18-M66 SS	66"	27"	\$2,433	4	4



NOTE: BLOWER SOLD SEPARATELY

NOTE: STAINLESS STEEL BAFFLE FILTERS AND GU10 LIGHTING INCLUDED.

BLOWER OPTIONS

MODEL	CFM*	AMPS	PRICE	INCL.®	DUCT SIZE
M600	630	5.0	\$519	N/A	6" Round
M1200	1035	10.0	\$998	VP566	10" Round
WHM300*	300	5.0	\$16	N/A	6" Round
WHM400*	400	5.0	\$16	N/A	6" Round

+ CFM RATING IS AT 0.0" STATIC PRESSURE

@ VP566 TRANSITION IS PACKAGED SEPARATELY FROM M1200 BLOWER

* WHM300 IS A HARNESS TO BE USED WITH THE M600 WHICH LIMITS TO 300 CFM

* WHM400 IS A HARNESS TO BE USED WITH THE M600 WHICH LIMITS TO 400 CFM

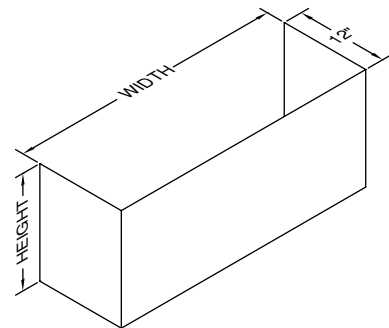


M600

M1200

DUCT COVER OPTIONS

MODEL	WIDTH	DEPTH	PRICE	CEILING
WDCM-30 SS	30"	12"	\$576	8'
WDCM-30/24 SS	30"	12"	\$814	9'
WDCM-30/36 SS	30"	12"	\$1,053	10'
WDCM-36 SS	36"	12"	\$622	8'
WDCM-36/24 SS	36"	12"	\$910	9'
WDCM-36/36 SS	36"	12"	\$1,194	10'
WDCM-42 SS	42"	12"	\$672	8'
WDCM-42/24 SS	42"	12"	\$1,005	9'
WDCM-42/36 SS	42"	12"	\$1,338	10'
WDCM-48 SS	48"	12"	\$718	8'
WDCM-48/24 SS	48"	12"	\$1,100	9'
WDCM-48/36 SS	48"	12"	\$1,482	10'
WDCM-54 SS	54"	12"	\$766	8'
WDCM-60 SS	60"	12"	\$814	8'
WDCM-66 SS	66"	12"	\$862	8'

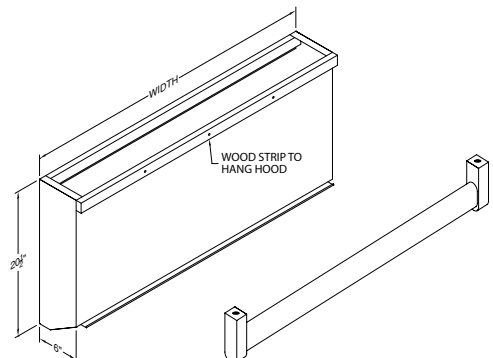


M SERIES BBQ EXTENSION

MODEL	WIDTH	PRICE	WR RAIL	PRICE
BBE-M30 SS	30"	\$543	WR-M30	\$108
BBE-M36 SS	36"	\$638	WR-M36	\$120
BBE-M42 SS	42"	\$698	WR-M42	\$120
BBE-M48 SS	48"	\$747	WR-M48	\$126
BBE-M54 SS	54"	\$802	WR-M54	\$126
BBE-M60 SS	60"	\$857	WR-M60	\$126

NOTE: WR RAIL SOLD SEPARATELY

NOTE: FOR USE ON PRH18-M AND PRXH18-M



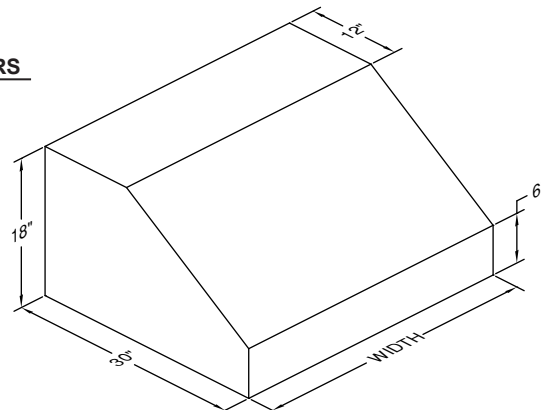
PRH 18-M 30" D WALL MOUNT

PRH18-M 30" DEEP WALL MOUNT HOOD

MODEL	WIDTH	DEPTH	PRICE	#LIGHTS	#FILTERS
PRH18-M36x30 SS	36"	30"	\$2,224	2	2
PRH18-M42x30 SS	42"	30"	\$2,447	3	2
PRH18-M48x30 SS	48"	30"	\$2,613	3	3
PRH18-M54x30 SS	54"	30"	\$3,079	4	3

NOTE: BLOWER SOLD SEPARATELY

NOTE: STAINLESS STEEL BAFFLE FILTERS AND GU10 LIGHTING INCLUDED.



BLOWER OPTIONS

MODEL	CFM*	AMPS	PRICE	INCL.®	DUCT SIZE
M600	630	5.0	\$519	N/A	6" Round
M1200	1035	10.0	\$998	VP566	10" Round
WHM300*	300	5.0	\$16	N/A	6" Round
WHM400*	400	5.0	\$16	N/A	6" Round

+ CFM RATING IS AT 0.0" STATIC PRESSURE

@ VP566 TRANSITION IS PACKAGED SEPARATELY FROM M1200 BLOWER

* WHM300 IS A HARNESS TO BE USED WITH THE M600 WHICH LIMITS TO 300 CFM

* WHM400 IS A HARNESS TO BE USED WITH THE M600 WHICH LIMITS TO 400 CFM

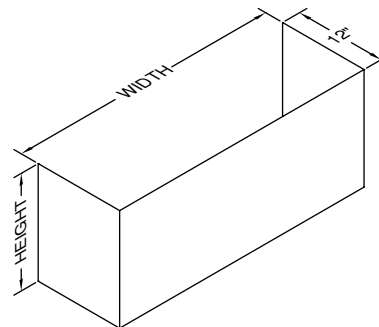


M600

M1200

DUCT COVER OPTIONS

MODEL	WIDTH	DEPTH	PRICE	CEILING
WDCM-30 SS	30"	12"	\$576	8'
WDCM-30/24 SS	30"	12"	\$814	9'
WDCM-30/36 SS	30"	12"	\$1,053	10'
WDCM-36 SS	36"	12"	\$622	8'
WDCM-36/24 SS	36"	12"	\$910	9'
WDCM-36/36 SS	36"	12"	\$1,194	10'
WDCM-42 SS	42"	12"	\$672	8'
WDCM-42/24 SS	42"	12"	\$1,005	9'
WDCM-42/36 SS	42"	12"	\$1,338	10'
WDCM-48 SS	48"	12"	\$718	8'
WDCM-48/24 SS	48"	12"	\$1,100	9'
WDCM-48/36 SS	48"	12"	\$1,482	10'
WDCM-54 SS	54"	12"	\$766	8'
WDCM-60 SS	60"	12"	\$814	8'
WDCM-66 SS	66"	12"	\$862	8'

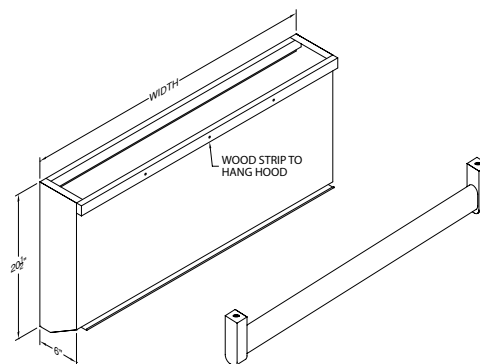


M SERIES BBQ EXTENSION

MODEL	WIDTH	PRICE	WR RAIL	PRICE
BBE-M30 SS	30"	\$543	WR-M30	\$108
BBE-M36 SS	36"	\$638	WR-M36	\$120
BBE-M42 SS	42"	\$698	WR-M42	\$120
BBE-M48 SS	48"	\$747	WR-M48	\$126
BBE-M54 SS	54"	\$802	WR-M54	\$126
BBE-M60 SS	60"	\$857	WR-M60	\$126

NOTE: WR RAIL SOLD SEPARATELY

NOTE: FOR USE ON PRH18-M AND PRXH18-M



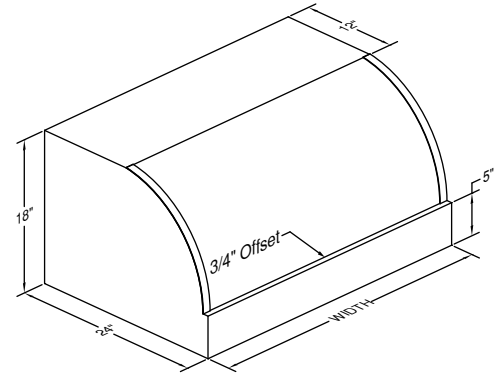
CXH 18-M WALL MOUNT

CXH18-M WALL MOUNT HOOD

MODEL	WIDTH	DEPTH	PRICE	#LIGHTS	#FILTERS
CXH18-M30 SS	30"	24"	\$1,890	2	2
CXH18-M36 SS	36"	24"	\$1,915	2	2
CXH18-M42 SS	42"	24"	\$2,043	3	2
CXH18-M48 SS	48"	24"	\$2,198	3	3
CXH18-M54 SS	54"	24"	\$2,542	4	3
CXH18-M60 SS	60"	24"	\$2,733	4	4
CXH18-M66 SS	66"	24"	\$2,975	4	4

NOTE: BLOWER SOLD SEPARATELY

NOTE: STAINLESS STEEL BAFFLE FILTERS AND GU10 LIGHTING INCLUDED.



BLOWER OPTIONS

MODEL	CFM*	AMPS	PRICE	INCL.®	DUCT SIZE
M600	630	5.0	\$519	N/A	6" Round
M1200	1035	10.0	\$998	VP566	10" Round
WHM300*	300	5.0	\$16	N/A	6" Round
WHM400*	400	5.0	\$16	N/A	6" Round

+ CFM RATING IS AT 0.0" STATIC PRESSURE

@ VP566 TRANSITION IS PACKAGED SEPARATELY FROM M1200 BLOWER

* WHM300 IS A HARNESS TO BE USED WITH THE M600 WHICH LIMITS TO 300 CFM

* WHM400 IS A HARNESS TO BE USED WITH THE M600 WHICH LIMITS TO 400 CFM

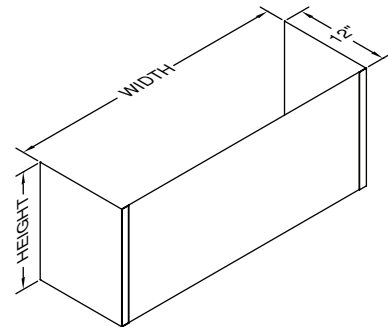


M600

M1200

DUCT COVER OPTIONS

MODEL	WIDTH	DEPTH	PRICE	CEILING
XDCM-30 SS	30"	12"	\$576	8'
XDCM-30/24 SS	30"	12"	\$814	9'
XDCM-30/36 SS	30"	12"	\$1,053	10'
XDCM-36 SS	36"	12"	\$622	8'
XDCM-36/24 SS	36"	12"	\$910	9'
XDCM-36/36 SS	36"	12"	\$1,194	10'
XDCM-42 SS	42"	12"	\$672	8'
XDCM-42/24 SS	42"	12"	\$1,005	9'
XDCM-42/36 SS	42"	12"	\$1,338	10'
XDCM-48 SS	48"	12"	\$718	8'
XDCM-48/24 SS	48"	12"	\$1,100	9'
XDCM-48/36 SS	48"	12"	\$1,482	10'
XDCM-54 SS	54"	12"	\$766	8'
XDCM-60 SS	60"	12"	\$814	8'
XDCM-66 SS	66"	12"	\$862	8'

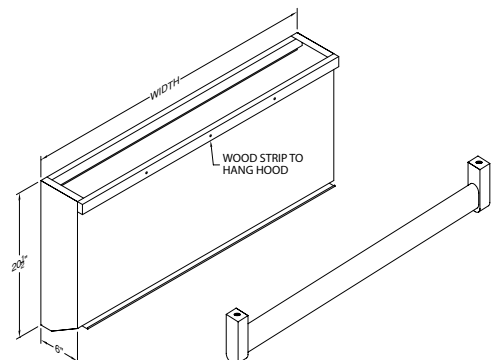


M SERIES BBQ EXTENSION

MODEL	WIDTH	PRICE	WR RAIL	PRICE
BBE-M30 SS	30"	\$543	WR-M30	\$108
BBE-M36 SS	36"	\$638	WR-M36	\$120
BBE-M42 SS	42"	\$698	WR-M42	\$120
BBE-M48 SS	48"	\$747	WR-M48	\$126
BBE-M54 SS	54"	\$802	WR-M54	\$126
BBE-M60 SS	60"	\$857	WR-M60	\$126

NOTE: WR RAIL SOLD SEPARATELY

NOTE: FOR USE ON PRH18-M AND PRXH18-M



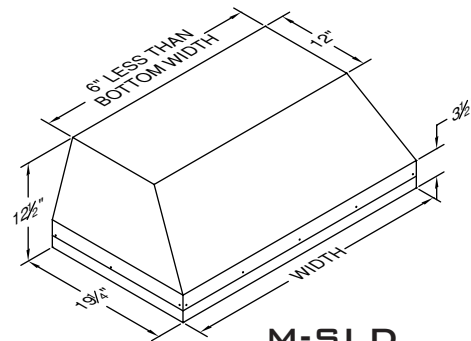
WALL MOUNT LINERS

M-SLD WALL MOUNT LINER

MODEL	WIDTH	DEPTH	PRICE	#LIGHTS	#FILTERS
M28SLD SS	28 3/8"	19 1/4"	\$782	2	2
M34SLD SS	34 3/8"	19 1/4"	\$782	2	2
M40SLD SS	40 3/8"	19 1/4"	\$865	3	2
M46SLD SS	46 3/8"	19 1/4"	\$1,072	3	3
M52SLD SS	52 3/8"	19 1/4"	\$1,862	3	3
M58SLD SS	58 3/8"	19 1/4"	\$1,971	4	4
M64SLD SS	64 3/8"	19 1/4"	\$2,250	4	4

NOTE: BLOWER SOLD SEPARATELY

NOTE: STAINLESS STEEL BAFFLE FILTERS AND GU10 LIGHTING INCLUDED.



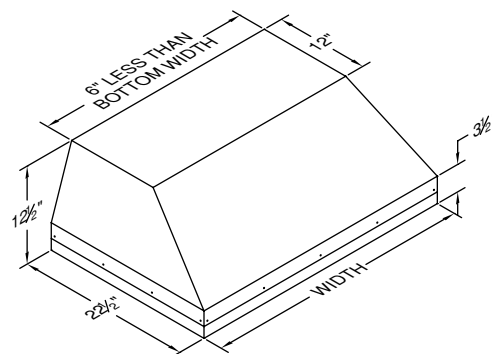
M-SLD

M-PSLD WALL MOUNT LINER

MODEL	WIDTH	DEPTH	PRICE	#LIGHTS	#FILTERS
M28PSLD SS	28 3/8"	22 1/2"	\$782	2	2
M34PSLD SS	34 3/8"	22 1/2"	\$782	2	2
M40PSLD SS	40 3/8"	22 1/2"	\$865	3	2
M46PSLD SS	46 3/8"	22 1/2"	\$1,072	3	3
M52PSLD SS	52 3/8"	22 1/2"	\$1,862	3	3
M58PSLD SS	58 3/8"	22 1/2"	\$1,971	4	4
M64PSLD SS	64 3/8"	22 1/2"	\$2,250	4	4

NOTE: BLOWER SOLD SEPARATELY

NOTE: STAINLESS STEEL BAFFLE FILTERS AND GU10 LIGHTING INCLUDED.



M-PSLD

BLOWER OPTIONS

MODEL	CFM*	AMPS	PRICE	INCL.®	DUCT SIZE
M600	630	5.0	\$519	N/A	6" Round
M1200	1035	10.0	\$998	VP566	10" Round
WHM300*	300	5.0	\$16	N/A	6" Round
WHM400*	400	5.0	\$16	N/A	6" Round

+ CFM RATING IS AT 0.0" STATIC PRESSURE

@ VP566 TRANSITION IS PACKAGED SEPARATELY FROM M1200 BLOWER

* WHM300 IS A HARNESS TO BE USED WITH THE M600 WHICH LIMITS TO 300 CFM

* WHM400 IS A HARNESS TO BE USED WITH THE M600 WHICH LIMITS TO 400 CFM



M600



M1200



Vent Hood[®]

SHIPPING ADDRESS

395 Dobbie Drive
Cambridge, Ontario N1T 1S8

TELEPHONE: 519.624.5710

TOLL-FREE: 888.340.4949

FAX: 519.624.5722