

M SERIES BY VENT-A-HOOD

CANADIAN MAP PRICE BOOK

October, 2018

VentAhood[®]



395 DOBBIE DRIVE
CAMBRIDGE
ONTARIO
N1T 1S8

1.888.340.4949



TERMS AND CONDITIONS OF SALE

1. Terms:
 - a. Minimum order of \$15.00 net.
 - b. Net 30 days with approved credit.
2. Prices:
 - a. All prices are subject to change at any time without notice.
 - b. All prices are F.O.B. Vent-A-Hood® Company, Richardson, Texas.
3. Cancellation:
 - a. Hoods which are fabricated to purchase orders are non-cancelable upon acceptance by the factory.
 - b. Any change orders must be confirmed in writing to Vent-A-Hood® at the address below and are subject to our ability to conform.

4. Returns:
 - a. No merchandise may be returned without written consent and shipping instructions.
 - b. Authorized returns are subject to a 25% restocking charge and freight charges.
 - c. Special order items are not subject to return or cancellation.
5. Quick Ship:
 - a. Shaded boxed prices in this document indicate quick ship products. Quick ship products are typically stocked or manufactured within two weeks. Quick ship painted product finishes include black, gunsmoke, and white.
6. Vent-A-Hood® Warranty
 - a. Vent-A-Hood® merchandise is manufactured in accordance with Vent-A-Hood®'s high standards and carries a limited warranty.
 - b. Vent-A-Hood® Magic Lung® Warranty:

Vent-A-Hood® warrants to the original consumer-purchaser its Magic Lung® products to be free of defects in material and workmanship for a period of five years on parts and one year on labor from the date of purchase with the following limitations:

 - A. Freight damage
 - B. Blower wheel damage
 - C. Light bulbs
 - D. Damage or malfunction caused by faulty installation
 - E. Incidental or consequential damage
 - F. Commercial application
 - G. Misapplication or modification of or to any part of the Vent-A-Hood® product
 - c. Vent-A-Hood® V-Line, ARS, M Series, and Remote Blower Warranty:

Vent-A-Hood warrants to the original consumer-purchaser its products to be free of defects in material and workmanship for a period of one year from the date of purchase with the following limitations:

 - A. Freight damage
 - B. Blower wheel damage
 - C. Light bulbs
 - D. Damage or malfunction caused by faulty installation
 - E. Incidental or consequential damage
 - F. Commercial application
 - G. Misapplication or modification of or to any part of the Vent-A-Hood® product
 - d. To make a warranty claim, contact the dealer where the hood was purchased. They will contact the appropriate service agents. It is not necessary to register the product directly with Vent-A-Hood®.

Join Us!



Follow Us!



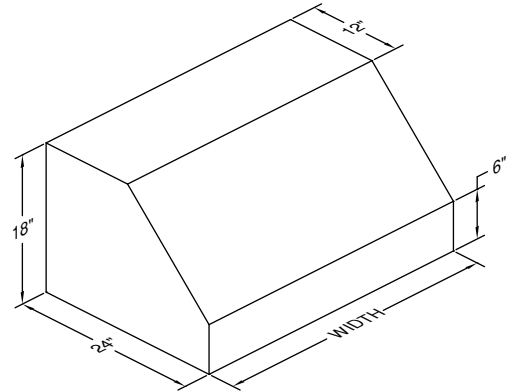
PRH18-M WALL MOUNT

PRH18-M WALL MOUNT HOOD

MODEL	WIDTH	DEPTH	PRICE	#LIGHTS	#FILTERS
PRH18-M30 SS	30"	24"	\$1,627	2	2
PRH18-M36 SS	36"	24"	\$1,655	2	2
PRH18-M42 SS	42"	24"	\$1,789	2	2
PRH18-M48 SS	48"	24"	\$1,887	3	3
PRH18-M54 SS	54"	24"	\$2,308	4	3
PRH18-M60 SS	60"	24"	\$2,506	4	4
PRH18-M66 SS	66"	24"	\$2,676	4	4

NOTE: BLOWER SOLD SEPARATELY

NOTE: STAINLESS STEEL BAFFLE FILTERS AND GU10 LIGHTING INCLUDED.



BLOWER OPTIONS

MODEL	CFM*	AMPS	PRICE	INCL.®	DUCT SIZE
M600	630	5.0	\$549	N/A	6" Round
M1200	1035	10.0	\$999	VP566	10" Round
WHM300*	300	5.0	\$17	N/A	6" Round
WHM400*	400	5.0	\$17	N/A	6" Round

+ CFM RATING IS AT 0.0" STATIC PRESSURE

@ VP566 TRANSITION IS PACKAGED SEPARATELY FROM M1200 BLOWER

* WHM300 IS A HARNESS TO BE USED WITH THE M600 WHICH LIMITS TO 300 CFM

* WHM400 IS A HARNESS TO BE USED WITH THE M600 WHICH LIMITS TO 400 CFM

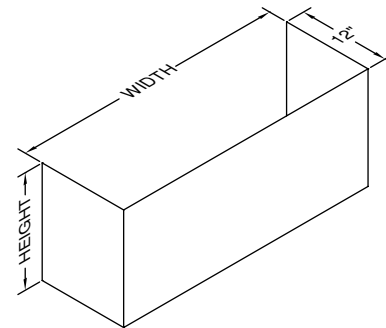


M600

M1200

DUCT COVER OPTIONS

MODEL	WIDTH	DEPTH	PRICE	CEILING
WDCM-30 SS	30"	12"	\$633	8'
WDCM-30/24 SS	30"	12"	\$895	9'
WDCM-30/36 SS	30"	12"	\$1,158	10'
WDCM-36 SS	36"	12"	\$685	8'
WDCM-36/24 SS	36"	12"	\$1,000	9'
WDCM-36/36 SS	36"	12"	\$1,314	10'
WDCM-42 SS	42"	12"	\$739	8'
WDCM-42/24 SS	42"	12"	\$1,107	9'
WDCM-42/36 SS	42"	12"	\$1,472	10'
WDCM-48 SS	48"	12"	\$790	8'
WDCM-48/24 SS	48"	12"	\$1,210	9'
WDCM-48/36 SS	48"	12"	\$1,629	10'
WDCM-54 SS	54"	12"	\$843	8'
WDCM-60 SS	60"	12"	\$895	8'
WDCM-66 SS	66"	12"	\$948	8'

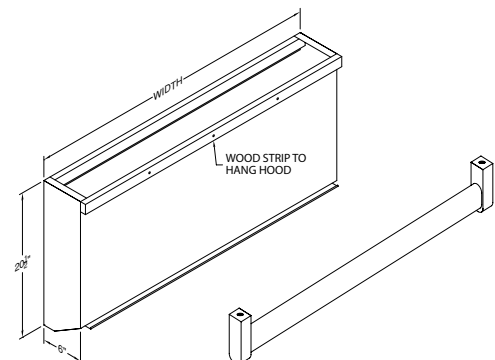


M SERIES BBQ EXTENSION

MODEL	WIDTH	PRICE	WR RAIL	PRICE
BBE-M30 SS	30"	\$597	WR-M30	\$118
BBE-M36 SS	36"	\$702	WR-M36	\$132
BBE-M42 SS	42"	\$769	WR-M42	\$132
BBE-M48 SS	48"	\$822	WR-M48	\$140
BBE-M54 SS	54"	\$882	WR-M54	\$140
BBE-M60 SS	60"	\$942	WR-M60	\$140

NOTE: WR RAIL SOLD SEPARATELY

NOTE: FOR USE ON PRH18-M AND PRXH18-M



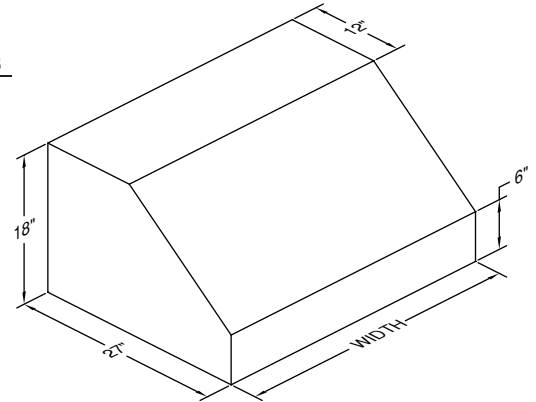
PRXH18-M WALL MOUNT

PRXH18-M WALL MOUNT HOOD

MODEL	WIDTH	DEPTH	PRICE	#LIGHTS	#FILTERS
PRXH18-M30 SS	30"	27"	\$1,627	2	2
PRXH18-M36 SS	36"	27"	\$1,655	2	2
PRXH18-M42 SS	42"	27"	\$1,789	2	2
PRXH18-M48 SS	48"	27"	\$1,887	3	3
PRXH18-M54 SS	54"	27"	\$2,308	4	3
PRXH18-M60 SS	60"	27"	\$2,506	4	4
PRXH18-M66 SS	66"	27"	\$2,676	4	4

NOTE: BLOWER SOLD SEPARATELY

NOTE: STAINLESS STEEL BAFFLE FILTERS AND GU10 LIGHTING INCLUDED.



BLOWER OPTIONS

MODEL	CFM*	AMPS	PRICE	INCL.®	DUCT SIZE
M600	630	5.0	\$549	N/A	6" Round
M1200	1035	10.0	\$999	VP566	10" Round
WHM300*	300	5.0	\$17	N/A	6" Round
WHM400*	400	5.0	\$17	N/A	6" Round

+ CFM RATING IS AT 0.0" STATIC PRESSURE

® VP566 TRANSITION IS PACKAGED SEPARATELY FROM M1200 BLOWER

* WHM300 IS A HARNESS TO BE USED WITH THE M600 WHICH LIMITS TO 300 CFM

* WHM400 IS A HARNESS TO BE USED WITH THE M600 WHICH LIMITS TO 400 CFM

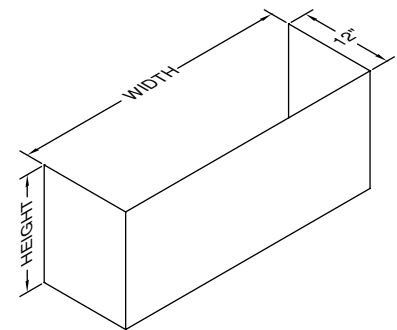


M600

M1200

DUCT COVER OPTIONS

MODEL	WIDTH	DEPTH	PRICE	CEILING
WDCM-30 SS	30"	12"	\$633	8'
WDCM-30/24 SS	30"	12"	\$895	9'
WDCM-30/36 SS	30"	12"	\$1,158	10'
WDCM-36 SS	36"	12"	\$685	8'
WDCM-36/24 SS	36"	12"	\$1,000	9'
WDCM-36/36 SS	36"	12"	\$1,314	10'
WDCM-42 SS	42"	12"	\$739	8'
WDCM-42/24 SS	42"	12"	\$1,107	9'
WDCM-42/36 SS	42"	12"	\$1,472	10'
WDCM-48 SS	48"	12"	\$790	8'
WDCM-48/24 SS	48"	12"	\$1,210	9'
WDCM-48/36 SS	48"	12"	\$1,629	10'
WDCM-54 SS	54"	12"	\$843	8'
WDCM-60 SS	60"	12"	\$895	8'
WDCM-66 SS	66"	12"	\$948	8'

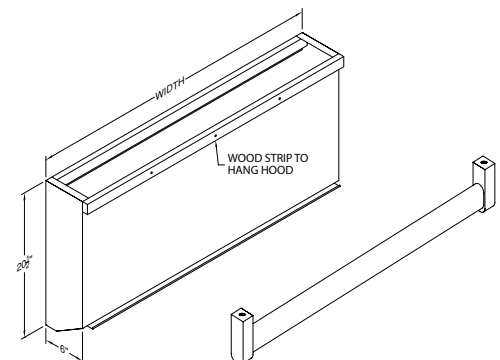


M SERIES BBQ EXTENSION

MODEL	WIDTH	PRICE	WR RAIL	PRICE
BBE-M30 SS	30"	\$597	WR-M30	\$118
BBE-M36 SS	36"	\$702	WR-M36	\$132
BBE-M42 SS	42"	\$769	WR-M42	\$132
BBE-M48 SS	48"	\$822	WR-M48	\$140
BBE-M54 SS	54"	\$882	WR-M54	\$140
BBE-M60 SS	60"	\$942	WR-M60	\$140

NOTE: WR RAIL SOLD SEPARATELY

NOTE: FOR USE ON PRH18-M AND PRXH18-M



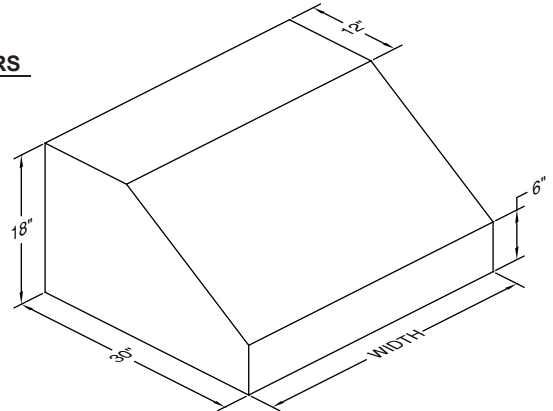
PRH18-M 30" D WALL MOUNT

PRH18-M 30" DEEP WALL MOUNT HOOD

MODEL	WIDTH	DEPTH	PRICE	#LIGHTS	#FILTERS
PRH18-M36x30 SS	36"	30"	\$2,446	2	2
PRH18-M42x30 SS	42"	30"	\$2,692	2	2
PRH18-M48x30 SS	48"	30"	\$2,875	3	3
PRH18-M54x30 SS	54"	30"	\$3,388	4	3

NOTE: BLOWER SOLD SEPARATELY

NOTE: STAINLESS STEEL BAFFLE FILTERS AND GU10 LIGHTING INCLUDED.



BLOWER OPTIONS

MODEL	CFM*	AMPS	PRICE	INCL.®	DUCT SIZE
M600	630	5.0	\$549	N/A	6" Round
M1200	1035	10.0	\$999	VP566	10" Round
WHM300*	300	5.0	\$17	N/A	6" Round
WHM400*	400	5.0	\$17	N/A	6" Round

+ CFM RATING IS AT 0.0" STATIC PRESSURE

@ VP566 TRANSITION IS PACKAGED SEPARATELY FROM M1200 BLOWER

* WHM300 IS A HARNESS TO BE USED WITH THE M600 WHICH LIMITS TO 300 CFM

* WHM400 IS A HARNESS TO BE USED WITH THE M600 WHICH LIMITS TO 400 CFM

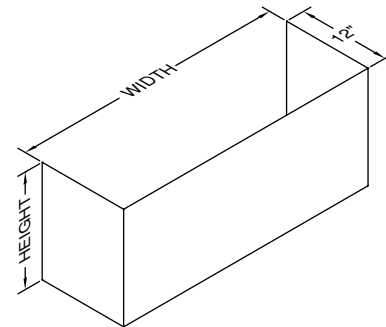


M600

M1200

DUCT COVER OPTIONS

MODEL	WIDTH	DEPTH	PRICE	CEILING
WDCM-30 SS	30"	12"	\$633	8'
WDCM-30/24 SS	30"	12"	\$895	9'
WDCM-30/36 SS	30"	12"	\$1,158	10'
WDCM-36 SS	36"	12"	\$685	8'
WDCM-36/24 SS	36"	12"	\$1,000	9'
WDCM-36/36 SS	36"	12"	\$1,314	10'
WDCM-42 SS	42"	12"	\$739	8'
WDCM-42/24 SS	42"	12"	\$1,107	9'
WDCM-42/36 SS	42"	12"	\$1,472	10'
WDCM-48 SS	48"	12"	\$790	8'
WDCM-48/24 SS	48"	12"	\$1,210	9'
WDCM-48/36 SS	48"	12"	\$1,629	10'
WDCM-54 SS	54"	12"	\$843	8'
WDCM-60 SS	60"	12"	\$895	8'
WDCM-66 SS	66"	12"	\$948	8'

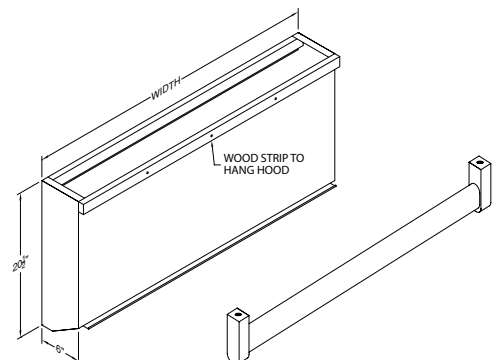


M SERIES BBQ EXTENSION

MODEL	WIDTH	PRICE	WR RAIL	PRICE
BBE-M30 SS	30"	\$597	WR-M30	\$118
BBE-M36 SS	36"	\$702	WR-M36	\$132
BBE-M42 SS	42"	\$769	WR-M42	\$132
BBE-M48 SS	48"	\$822	WR-M48	\$140
BBE-M54 SS	54"	\$882	WR-M54	\$140
BBE-M60 SS	60"	\$942	WR-M60	\$140

NOTE: WR RAIL SOLD SEPARATELY

NOTE: FOR USE ON PRH18-M AND PRXH18-M



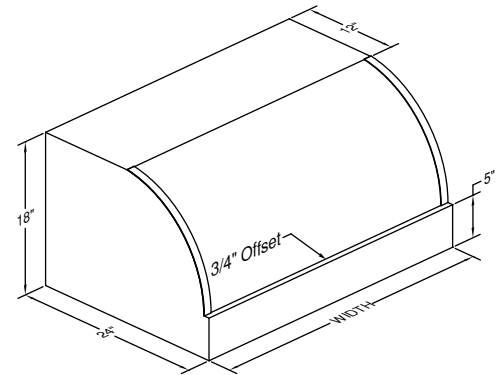
CXH18-M WALL MOUNT

CXH18-M WALL MOUNT HOOD

MODEL	WIDTH	DEPTH	PRICE	#LIGHTS	#FILTERS
CXH18-M30 SS	30"	24"	\$2,079	2	2
CXH18-M36 SS	36"	24"	\$2,107	2	2
CXH18-M42 SS	42"	24"	\$2,248	2	2
CXH18-M48 SS	48"	24"	\$2,418	3	3
CXH18-M54 SS	54"	24"	\$2,796	4	3
CXH18-M60 SS	60"	24"	\$3,007	4	4
CXH18-M66 SS	66"	24"	\$3,273	4	4

NOTE: BLOWER SOLD SEPARATELY

NOTE: STAINLESS STEEL BAFFLE FILTERS AND GU10 LIGHTING INCLUDED.



BLOWER OPTIONS

MODEL	CFM*	AMPS	PRICE	INCL.®	DUCT SIZE
M600	630	5.0	\$549	N/A	6" Round
M1200	1035	10.0	\$999	VP566	10" Round
WHM300*	300	5.0	\$17	N/A	6" Round
WHM400*	400	5.0	\$17	N/A	6" Round

+ CFM RATING IS AT 0.0" STATIC PRESSURE

@ VP566 TRANSITION IS PACKAGED SEPARATELY FROM M1200 BLOWER

* WHM300 IS A HARNESS TO BE USED WITH THE M600 WHICH LIMITS TO 300 CFM

* WHM400 IS A HARNESS TO BE USED WITH THE M600 WHICH LIMITS TO 400 CFM

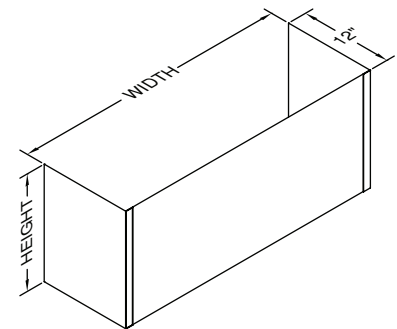


M600

M1200

DUCT COVER OPTIONS

MODEL	WIDTH	DEPTH	PRICE	CEILING
XDCM-30 SS	30"	12"	\$633	8'
XDCM-30/24 SS	30"	12"	\$895	9'
XDCM-30/36 SS	30"	12"	\$1,158	10'
XDCM-36 SS	36"	12"	\$685	8'
XDCM-36/24 SS	36"	12"	\$1,000	9'
XDCM-36/36 SS	36"	12"	\$1,314	10'
XDCM-42 SS	42"	12"	\$739	8'
XDCM-42/24 SS	42"	12"	\$1,107	9'
XDCM-42/36 SS	42"	12"	\$1,472	10'
XDCM-48 SS	48"	12"	\$790	8'
XDCM-48/24 SS	48"	12"	\$1,210	9'
XDCM-48/36 SS	48"	12"	\$1,629	10'
XDCM-54 SS	54"	12"	\$843	8'
XDCM-60 SS	60"	12"	\$895	8'
XDCM-66 SS	66"	12"	\$948	8'

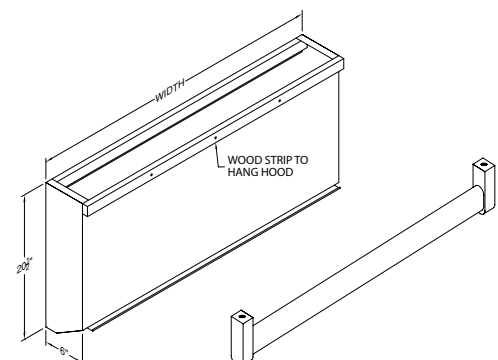


M SERIES BBQ EXTENSION

MODEL	WIDTH	PRICE	WR RAIL	PRICE
BBE-M30 SS	30"	\$597	WR-M30	\$118
BBE-M36 SS	36"	\$702	WR-M36	\$132
BBE-M42 SS	42"	\$769	WR-M42	\$132
BBE-M48 SS	48"	\$822	WR-M48	\$140
BBE-M54 SS	54"	\$882	WR-M54	\$140
BBE-M60 SS	60"	\$942	WR-M60	\$140

NOTE: WR RAIL SOLD SEPARATELY

NOTE: FOR USE ON PRH18-M AND PRXH18-M



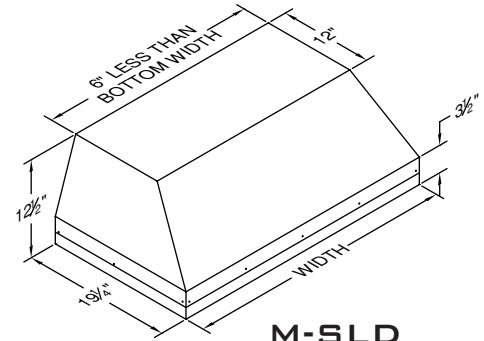
WALL MOUNT LINERS

M-SLD WALL MOUNT LINER

MODEL	WIDTH	DEPTH	PRICE	#LIGHTS	#FILTERS
M28SLD SS	28 3/8"	19 1/4"	\$861	2	2
M34SLD SS	34 3/8"	19 1/4"	\$861	2	2
M40SLD SS	40 3/8"	19 1/4"	\$951	2	2
M46SLD SS	46 3/8"	19 1/4"	\$1,180	3	3
M52SLD SS	52 3/8"	19 1/4"	\$2,048	3	3
M58SLD SS	58 3/8"	19 1/4"	\$2,168	4	4
M64SLD SS	64 3/8"	19 1/4"	\$2,475	4	4

NOTE: BLOWER SOLD SEPARATELY

NOTE: STAINLESS STEEL BAFFLE FILTERS AND GU10 LIGHTING INCLUDED.



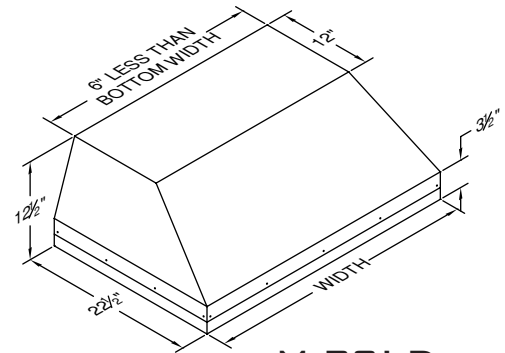
M-SLD

M-PSLD WALL MOUNT LINER

MODEL	WIDTH	DEPTH	PRICE	#LIGHTS	#FILTERS
M28PSLD SS	28 3/8"	22 1/2"	\$861	2	2
M34PSLD SS	34 3/8"	22 1/2"	\$861	2	2
M40PSLD SS	40 3/8"	22 1/2"	\$951	2	2
M46PSLD SS	46 3/8"	22 1/2"	\$1,180	3	3
M52PSLD SS	52 3/8"	22 1/2"	\$2,048	3	3
M58PSLD SS	58 3/8"	22 1/2"	\$2,168	4	4
M64PSLD SS	64 3/8"	22 1/2"	\$2,475	4	4

NOTE: BLOWER SOLD SEPARATELY

NOTE: STAINLESS STEEL BAFFLE FILTERS AND GU10 LIGHTING INCLUDED.



M-PSLD

BLOWER OPTIONS

MODEL	CFM*	AMPS	PRICE	INCL.®	DUCT SIZE
M600	630	5.0	\$549	N/A	6" Round
M1200	1035	10.0	\$999	VP566	10" Round
WHM300*	300	5.0	\$17	N/A	6" Round
WHM400*	400	5.0	\$17	N/A	6" Round

+ CFM RATING IS AT 0.0" STATIC PRESSURE

@ VP566 TRANSITION IS PACKAGED SEPARATELY FROM M1200 BLOWER

* WHM300 IS A HARNESS TO BE USED WITH THE M600 WHICH LIMITS TO 300 CFM

* WHM400 IS A HARNESS TO BE USED WITH THE M600 WHICH LIMITS TO 400 CFM



M600



M1200

Vent-A-Hood[®]



395 DOBBIE DRIVE
CAMBRIDGE
ONTARIO
N1T 1S8

1.888.340.4949