

Vent-A-Hood®

2018 ARS/Duct-Free Model Lineup

CANADIAN MAP PRICE BOOK

October, 2018

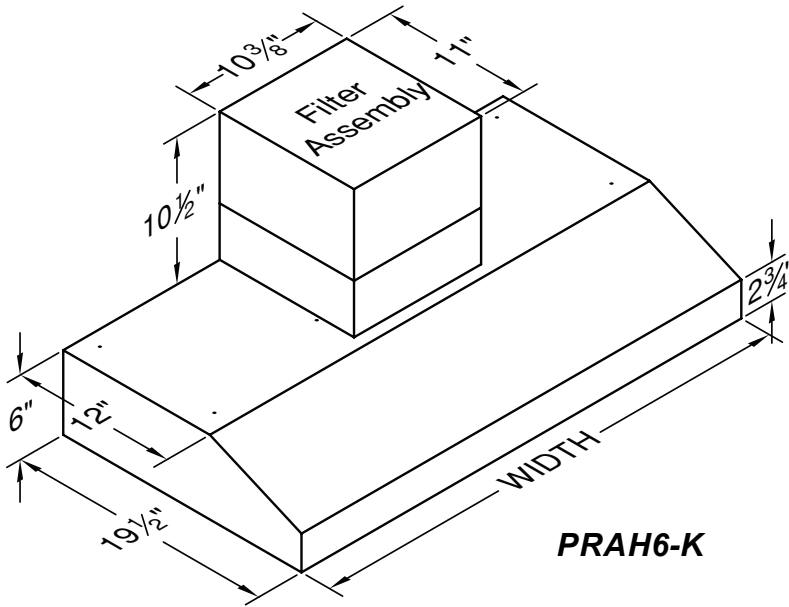


395 DOBBIE DRIVE
CAMBRIDGE
ONTARIO
N1T 1S8

1.888.340.4949

ARSIDUCT-FREE UNDER CABINET RANGE HOODS

RECOMMENDED MOUNTING HEIGHT FROM COOKING SURFACE: 21"-24"



PRAH6-K

MODEL NO.	WIDTH	PAINTED	STAINLESS	#LTS
PRAH6-K24	24"	678	729	2
PRAH6-K30	30"	678	759	2
PRAH6-K36	36"	678	779	2
PRAH6-K42	42"	796	985	3

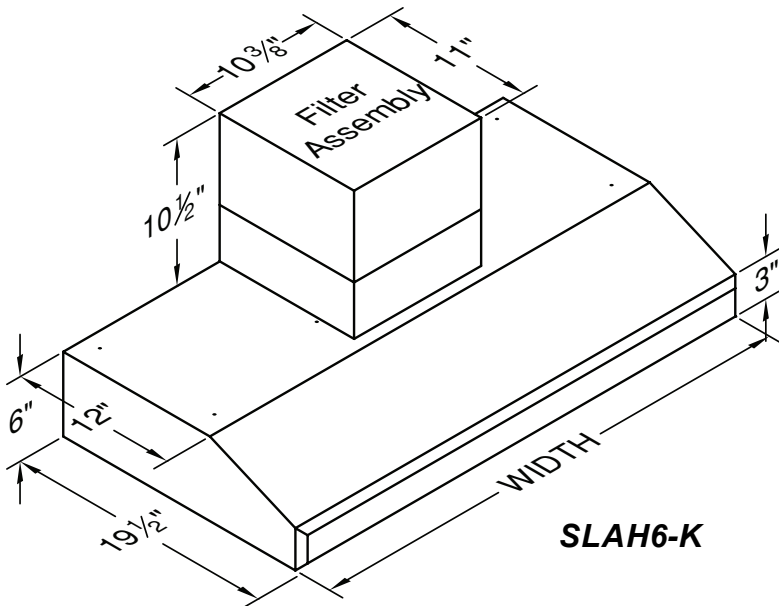
SHOWN WITH MATCHING ARSLP-12 FILTER KIT (SOLD SEPARATELY)

REMOVABLE ENCLOSURE ACCESS PANEL AND OUTLET PORTS WILL BE REQUIRED

ARS FILTER KIT REQUIRED FOR ONE APPLICATION

PRODUCT FEATURES

- STANDARD SIZES ONLY, NO CUSTOMIZATIONS
- PAINTED FINISHES INCLUDE BISCUIT, BLACK, GUNSMOKE, AND WHITE



SLAH6-K

MODEL NO.	WIDTH	PAINTED	STAINLESS	#LTS
SLAH6-K24	24"	678	729	2
SLAH6-K30	30"	678	759	2
SLAH6-K36	36"	678	779	2
SLAH6-K42	42"	796	985	3

SHOWN WITH MATCHING ARSLP-12 FILTER KIT (SOLD SEPARATELY)

REMOVABLE ENCLOSURE ACCESS PANEL AND OUTLET PORTS WILL BE REQUIRED

ARS FILTER KIT REQUIRED FOR ONE APPLICATION

PRODUCT FEATURES

- STANDARD SIZES ONLY, NO CUSTOMIZATIONS
- PAINTED FINISHES INCLUDE BISCUIT, BLACK, GUNSMOKE, AND WHITE

MODEL NO.	DESCRIPTION	PRICE
ARSLP-12	ARS Filter Assembly - Low Profile	1188

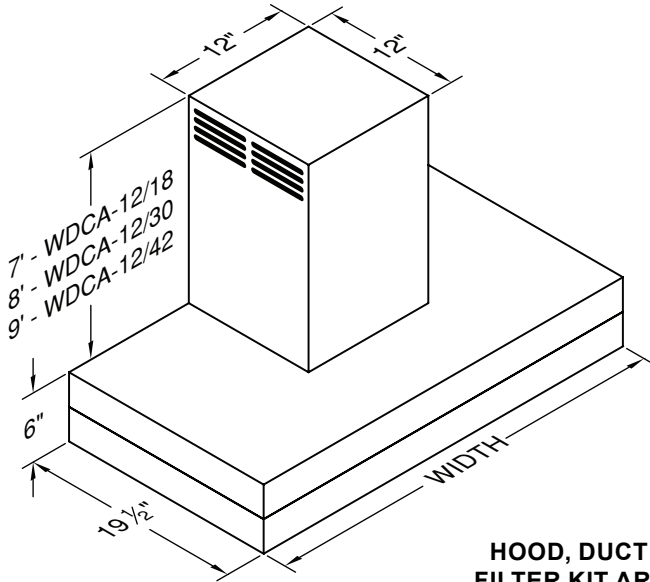
MODEL NO.	DESCRIPTION	PRICE
PARS-12	12" x 12" Replacement H.E. Filter Assembly	373
PARS-C	Replacement Activated Carbon Pellets - 1 Gallon	76

THE H.E. FILTER ASSEMBLY AND ACTIVATED CARBON MEDIA SHOULD BE CHANGED AS NEEDED BASED ON USAGE.

CWEAH6-K ARS/DUCT-FREE RANGE HOOD

RECOMMENDED MOUNTING HEIGHT FROM COOKING SURFACE: 24"

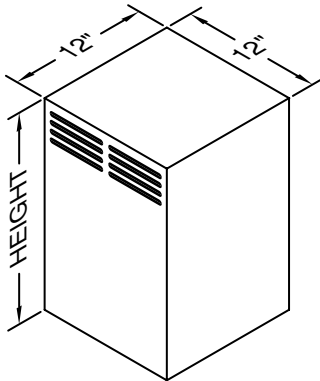
MODEL NO.	WIDTH	PAINTED	STAINLESS	#LTS
CWEAH6-K30	30"	1072	1357	2
CWEAH6-K36	36"	1072	1357	2
CWEAH6-K42	42"	1242	1585	3
CWEAH6-K48	48"	1301	1626	3



SHOWN WITH MATCHING DUCT COVER AND ARS-12 FILTER KIT (SOLD SEPARATELY)

DUCT COVER HAS A REMOVABLE FRONT PANEL AND A FINISHED TOP

HOOD, DUCT COVER, AND ARS FILTER KIT ARE EACH REQUIRED FOR ONE APPLICATION



MODEL NO.	WIDTH	PAINTED	STAINLESS	CLG.
WDCA-12/18	12"	763	822	7'
WDCA-12/30	12"	836	942	8'
WDCA-12/42	12"	912	1046	9'

DUCT COVER HAS A REMOVABLE FRONT PANEL AND A FINISHED TOP

MODEL NO.	DESCRIPTION	PRICE
ARS-12	ARS Filter Assembly for WDCA-12	1188

MODEL NO.	DESCRIPTION	PRICE
PARS-12	12" x 12" Replacement H.E. Filter Assembly	373
PARS-C	Replacement Activated Carbon Pellets - 1 Gallon	76

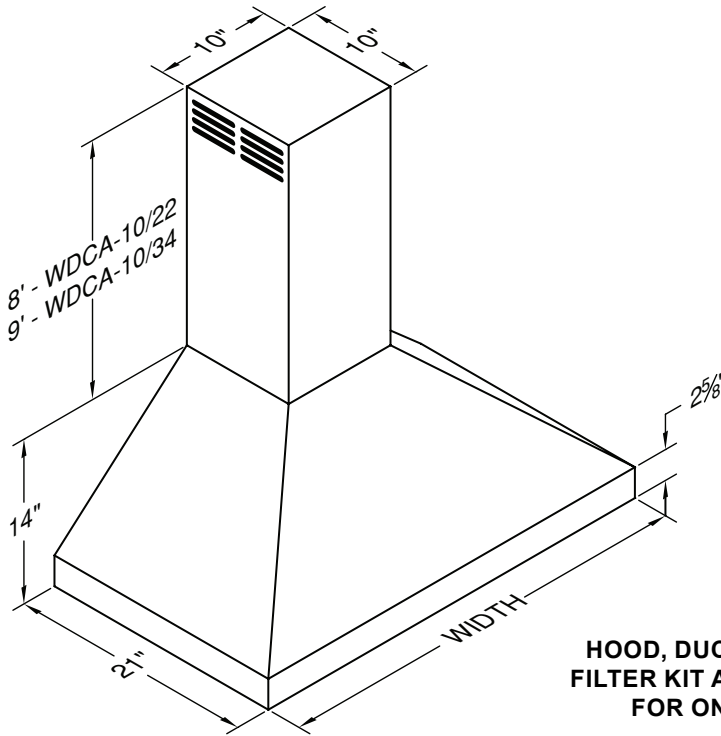
THE H.E. FILTER ASSEMBLY AND ACTIVATED CARBON MEDIA SHOULD BE CHANGED AS NEEDED BASED ON USAGE.

PDAH14-K ARSIDUCT-FREE RANGE HOOD

RECOMMENDED MOUNTING HEIGHT FROM COOKING SURFACE: 24"

MODEL NO.	WIDTH	PAINTED	STAINLESS	OVERLAY*	#LTS
PDAH14-K30	30"	1343	1799	2670	2
PDAH14-K36	36"	1370	1799	2770	2
PDAH14-K42	42"	1441	2038	3026	3
PDAH14-K48	48"	1508	2113	3184	3

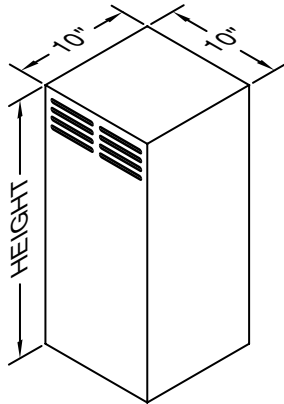
*FOR OVERLAY HOODS, SPECIFY INTERIOR COLOR



SHOWN WITH MATCHING DUCT COVER AND ARS-10 FILTER KIT (SOLD SEPARATELY)

DUCT COVER HAS A REMOVABLE FRONT PANEL AND A FINISHED TOP

HOOD, DUCT COVER, AND ARS FILTER KIT ARE EACH REQUIRED FOR ONE APPLICATION



DUCT COVER HAS A REMOVABLE FRONT PANEL AND A FINISHED TOP

MODEL NO.	WIDTH	PAINTED	STAINLESS	OVERLAY	CLG.
WDCA-10/22	10"	763	836	926	8'
WDCA-10/34	10"	822	926	1078	9'

MODEL NO.	DESCRIPTION	PRICE
ARS-10	ARS Filter Assembly for WDCA-10	1188

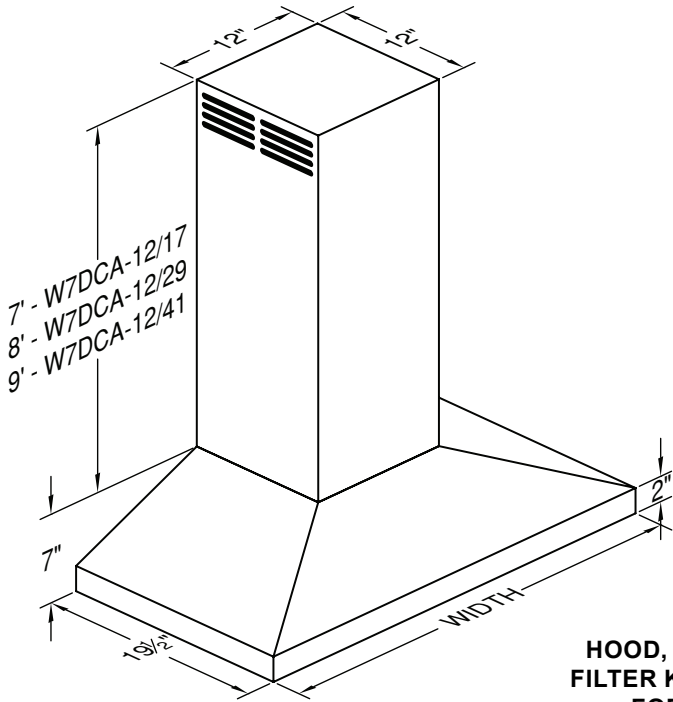
MODEL NO.	DESCRIPTION	PRICE
PARS-10	10" x 10" Replacement H.E. Filter Assembly	373
PARS-C	Replacement Activated Carbon Pellets - 1 Gallon	76

THE H.E. FILTER ASSEMBLY AND ACTIVATED CARBON MEDIA SHOULD BE CHANGED AS NEEDED BASED ON USAGE.

PDAH7-K ARSIDUCT-FREE RANGE HOOD

**RECOMMENDED MOUNTING HEIGHT
FROM COOKING SURFACE: 24"**

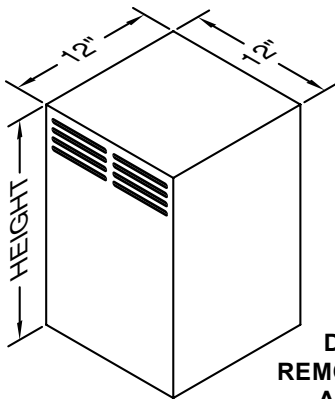
MODEL NO.	WIDTH	PAINTED	STAINLESS	#LTS
PDAH7-K30	30"	1219	1499	2
PDAH7-K36	36"	1219	1499	2



**SHOWN WITH MATCHING DUCT
COVER AND ARSLP-12 FILTER
KIT (SOLD SEPARATELY)**

**DUCT COVER HAS A
REMOVABLE FRONT PANEL
AND A FINISHED TOP**

**HOOD, DUCT COVER, AND ARS
FILTER KIT ARE EACH REQUIRED
FOR ONE APPLICATION**



**DUCT COVER HAS A
REMOVABLE FRONT PANEL
AND A FINISHED TOP**

MODEL NO.	WIDTH	PAINTED	STAINLESS	CLG.
W7DCA-12/17	12"	756	812	7'
W7DCA-12/29	12"	830	932	8'
W7DCA-12/41	12"	906	1037	9'

MODEL NO.	DESCRIPTION	PRICE
ARSLP-12	ARS Filter Assembly - Low Profile	1188

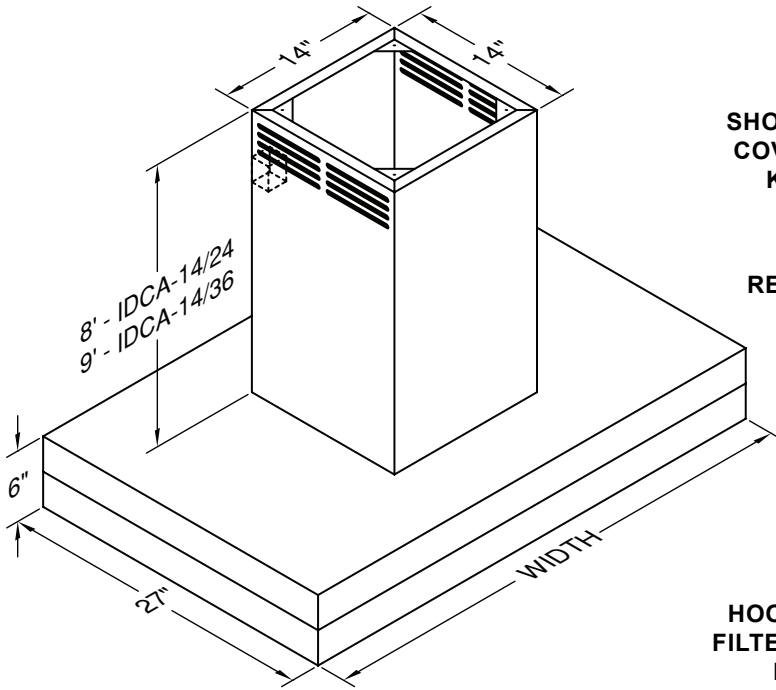
MODEL NO.	DESCRIPTION	PRICE
PARS-12	12" x 12" Replacement H.E. Filter Assembly	373
PARS-C	Replacement Activated Carbon Pellets - 1 Gallon	76

THE H.E. FILTER ASSEMBLY AND ACTIVATED CARBON MEDIA SHOULD BE CHANGED AS NEEDED BASED ON USAGE.

CIEAH6 ARS/DUCT-FREE ISLAND RANGE HOOD

**RECOMMENDED MOUNTING HEIGHT
FROM COOKING SURFACE: 30"**

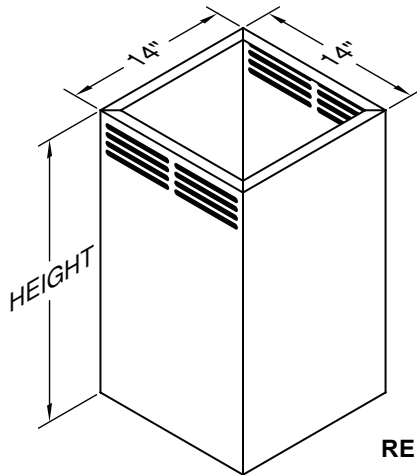
MODEL NO.	WIDTH	PAINTED	STAINLESS	#LTS
CIEAH6-K36	36"	2011	2681	4
CIEAH6-K42	42"	2119	2826	4



SHOWN WITH MATCHING DUCT COVER AND ARSLP-12 FILTER KIT (SOLD SEPARATELY)

DUCT COVER HAS A REMOVABLE FRONT PANEL

HOOD, DUCT COVER, AND ARS FILTER KIT ARE EACH REQUIRED FOR ONE APPLICATION



DUCT COVER HAS A REMOVABLE FRONT PANEL

MODEL NO.	WIDTH	PAINTED	STAINLESS	CLG.
IDCA-14/24	14"	868	953	9'
IDCA-14/36	14"	992	1120	10'

MODEL NO.	DESCRIPTION	PRICE
ARSLP-12	ARS Filter Assembly - Low Profile	1188

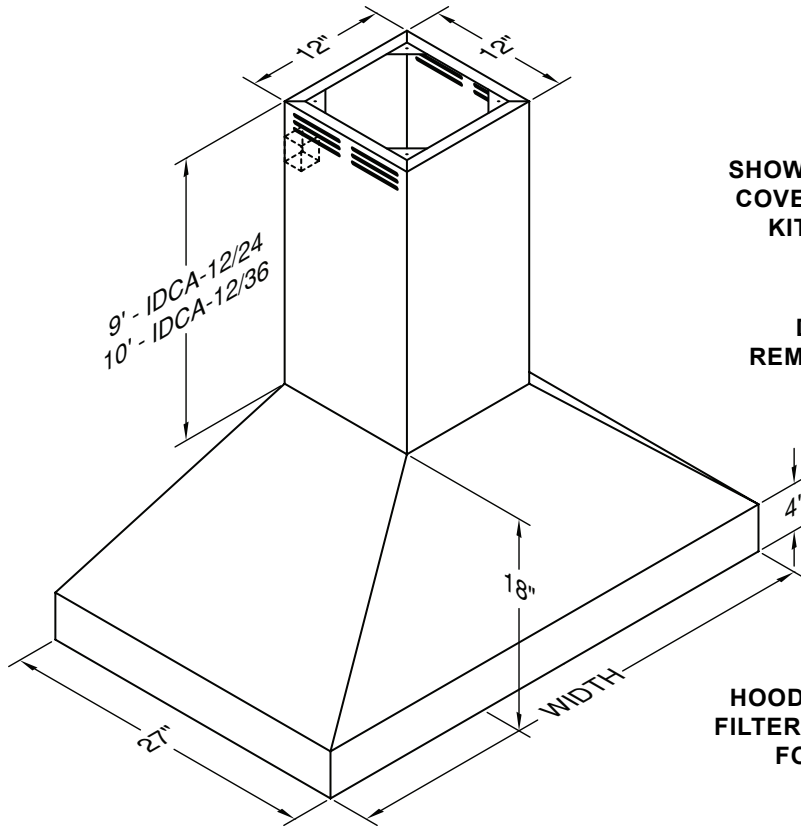
MODEL NO.	DESCRIPTION	PRICE
PARS-12	12" x 12" Replacement H.E. Filter Assembly	373
PARS-C	Replacement Activated Carbon Pellets - 1 Gallon	76

THE H.E. FILTER ASSEMBLY AND ACTIVATED CARBON MEDIA SHOULD BE CHANGED AS NEEDED BASED ON USAGE.

PYDAH18 ARSIDUCT-FREE ISLAND RANGE HOOD

**RECOMMENDED MOUNTING HEIGHT
FROM COOKING SURFACE: 30"**

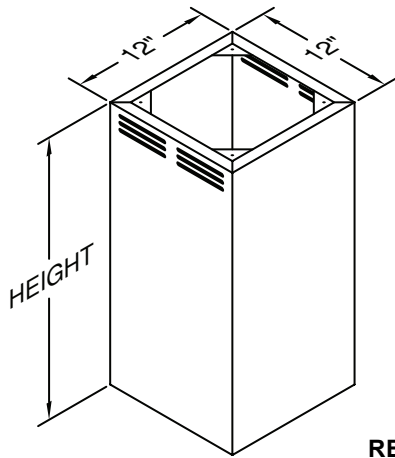
MODEL NO.	WIDTH	PAINTED	STAINLESS	#LTS
PYDAH18-K36	36"	3198	4352	4
PYDAH18-K42	42"	3335	4535	4



**SHOWN WITH MATCHING DUCT
COVER AND ARSLP-12 FILTER
KIT (SOLD SEPARATELY)**

**DUCT COVER HAS A
REMOVABLE FRONT PANEL**

**HOOD, DUCT COVER, AND ARS
FILTER KIT ARE EACH REQUIRED
FOR ONE APPLICATION**



**DUCT COVER HAS A
REMOVABLE FRONT PANEL**

MODEL NO.	WIDTH	PAINTED	STAINLESS	CLG.
IDCA-12/24	12"	836	942	9'
IDCA-12/36	12"	912	1046	10'

MODEL NO.	DESCRIPTION	PRICE
ARSLP-12	ARS Filter Assembly - Low Profile	1188

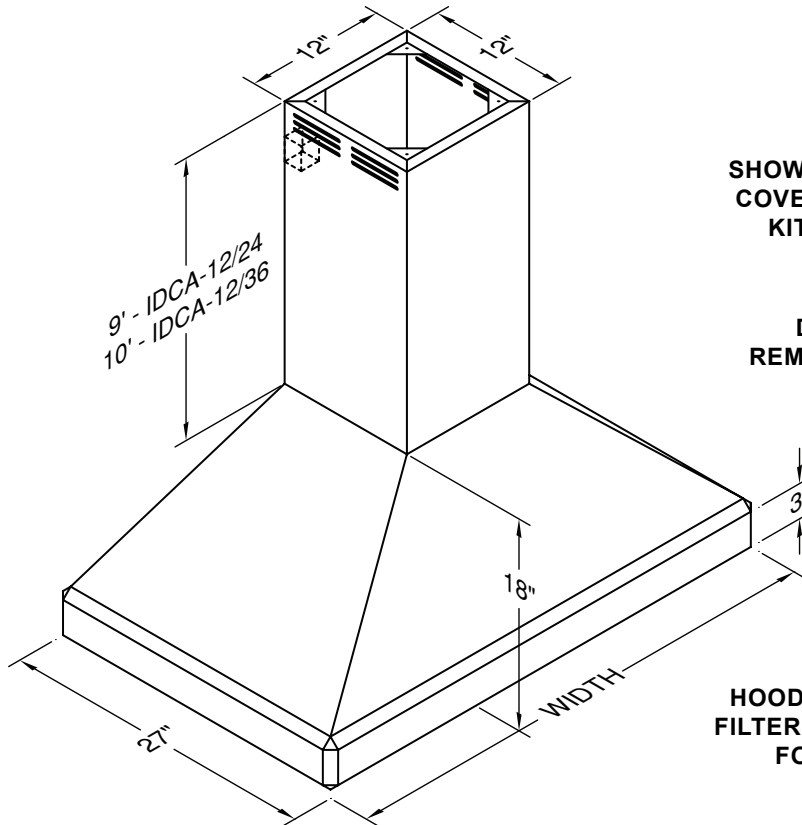
MODEL NO.	DESCRIPTION	PRICE
PARS-12	12" x 12" Replacement H.E. Filter Assembly	373
PARS-C	Replacement Activated Carbon Pellets - 1 Gallon	76

THE H.E. FILTER ASSEMBLY AND ACTIVATED CARBON MEDIA SHOULD BE CHANGED AS NEEDED BASED ON USAGE.

ISDAH18 ARS/DUCT-FREE ISLAND RANGE HOOD

**RECOMMENDED MOUNTING HEIGHT
FROM COOKING SURFACE: 30"**

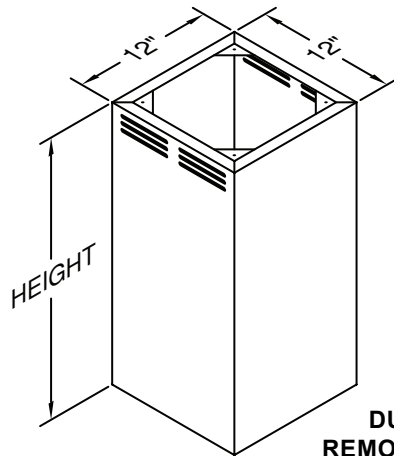
MODEL NO.	WIDTH	PAINTED	STAINLESS	#LTS
ISDAH18-K36	36"	3787	4975	4
ISDAH18-K42	42"	3923	5158	4



**SHOWN WITH MATCHING DUCT
COVER AND ARSLP-12 FILTER
KIT (SOLD SEPARATELY)**

**DUCT COVER HAS A
REMOVABLE FRONT PANEL**

**HOOD, DUCT COVER, AND ARS
FILTER KIT ARE EACH REQUIRED
FOR ONE APPLICATION**



**DUCT COVER HAS A
REMOVABLE FRONT PANEL**

MODEL NO.	WIDTH	PAINTED	STAINLESS	CLG.
IDCA-12/24	12"	836	942	9'
IDCA-12/36	12"	912	1046	10'

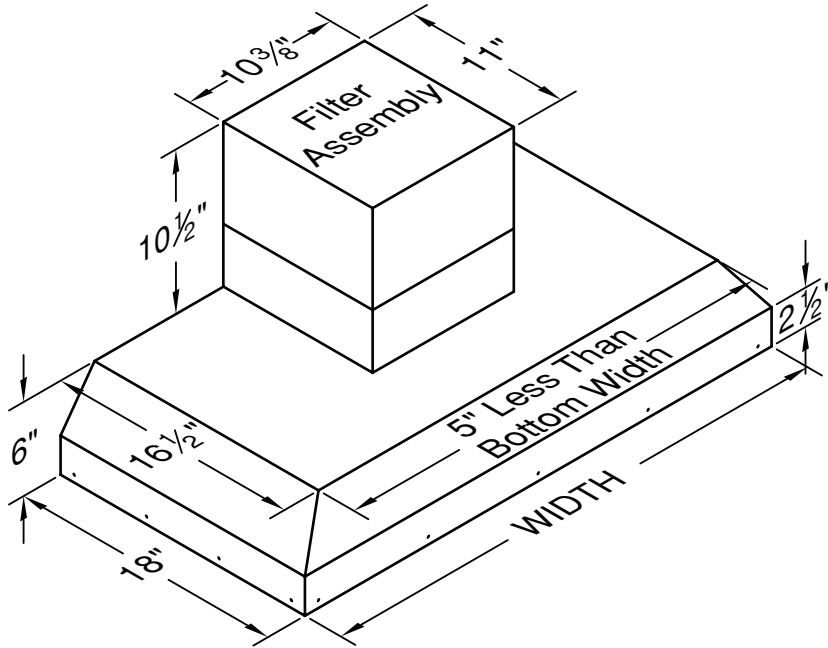
MODEL NO.	DESCRIPTION	PRICE
ARSLP-12	ARS Filter Assembly - Low Profile	1188

MODEL NO.	DESCRIPTION	PRICE
PARS-12	12" x 12" Replacement H.E. Filter Assembly	373
PARS-C	Replacement Activated Carbon Pellets - 1 Gallon	76

THE H.E. FILTER ASSEMBLY AND ACTIVATED CARBON MEDIA SHOULD BE CHANGED AS NEEDED BASED ON USAGE.

ARSIDUCT-FREE WALL MOUNT LINER INSERTS

**RECOMMENDED MOUNTING HEIGHT
FROM COOKING SURFACE: 21"-24"
TRIM KIT NOT INCLUDED**



MODEL NO.	WIDTH	PAINTED	STAINLESS	#LTS
KAH28SLD	28 3/8"	612	749	2
KAH34SLD	34 3/8"	612	749	2
KAH40SLD	40 3/8"	727	876	2

OPTIONAL TRIM KITS

MODEL NO.	WIDTH	PAINTED	STAINLESS
TKK28SLD	28-3/8"	25.20	25.20
TKK34SLD	34-3/8"	25.20	25.20
TKK40SLD	40-3/8"	26.40	26.40

**SHOWN WITH MATCHING
ARSLP-12 FILTER KIT
(SOLD SEPARATELY)**

**REMOVABLE ENCLOSURE
ACCESS PANEL AND OUTLET
PORTS WILL BE REQUIRED**

**ARS FILTER KIT REQUIRED
FOR ONE APPLICATION**

MODEL NO.	DESCRIPTION	PRICE
ARSLP-12	ARS Filter Assembly - Low Profile	1188

MODEL NO.	DESCRIPTION	PRICE
PARS-12	12" x 12" Replacement H.E. Filter Assembly	373
PARS-C	Replacement Activated Carbon Pellets - 1 Gallon	76

THE H.E. FILTER ASSEMBLY AND ACTIVATED CARBON MEDIA SHOULD BE CHANGED AS NEEDED BASED ON USAGE.

VentA Hood[®]

**REDMAN
DISTRIBUTING INC.**

**395 DOBBIE DRIVE
CAMBRIDGE
ONTARIO
N1T 1S8**

1.888.340.4949